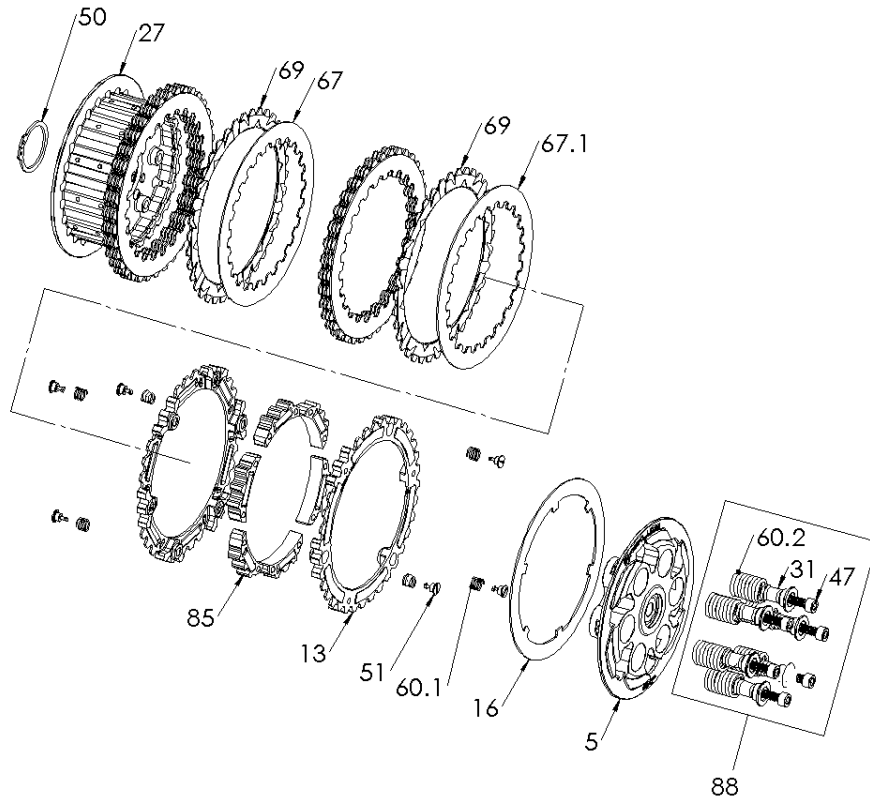
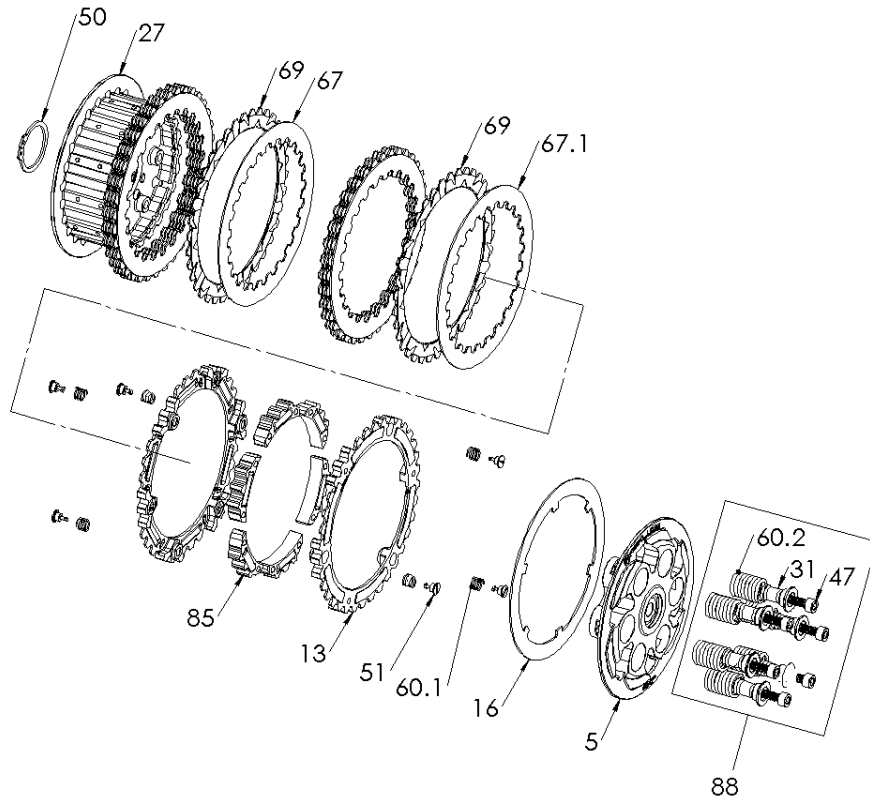


RMS-7915006A - CORE EXP 3.0 CLUTCH (HD)



Item	Part Number	Item Description	Qty
13	140-246B	EXP BASE - HD Sportster	2
16	143-016A	LINING PLATE - H450 K450 EXP 3.0	1
27	178-026B	CENTER CLUTCH - Sportster 883 1200	1
Not Shown	414-153A	Throw Out Spacer .406 in x .75 in x .25 in	1
50	414-687A	35mm External Retaining Ring	1
51	415-000	FASTENER - Quarter Turn Pin	6
Not Shown	415-000	FASTENER - Quarter Turn Pin	2
Not Shown	419-120	HARDWARE - 1 Orange Free Play Gain Rubber Band	1
Not Shown	419-711A	HARDWARE - Velcro Strap 1in X 12in	2
Not Shown	442-003	EXP ADJUSTMENT SPRING EXP - Blue	3
60.1	442-004	EXP ADJUSTMENT SPRING EXP - Gold	6
Not Shown	442-005B	EXP ADJUSTMENT SPRING EXP - Green	3
67	465-401B	DRIVE PLATE - 0.040 zSP/Core RMS H450 Precision	6
67.1	465-481B	DRIVE PLATE - 0.048 zSP/Core RMS H450 Precision	4
69	469-308B	FRICITION DISK - Sportser Torq Drive	9

RMS-7915006A - CORE EXP 3.0 CLUTCH (HD)



Item	Part Number	Item Description	Qty
5	710-250A	Sportster Pressure Plate w/ Bearing 113-025	1
85	741-026A	WEDGE ASSEMBLY - Sportster	6
88	744-120A	CORE EXP CLUTCH SPRING KIT SPORTSTER	1
31	184-101B	HARDWARE - EXP Screw Sleeve	6
47	411-164A	FASTENER - M6-1 x 30 Socket Head Cap Screw	6
60.2	442-104	PRESSURE PLATE SPRING - 250 Class Bikes Heavy Gold	6
Not Shown	821-010B	WARNING LABEL - Clutch Lever Decal	1
Not Shown	821-013A	Prop. 65 Warning Label	1