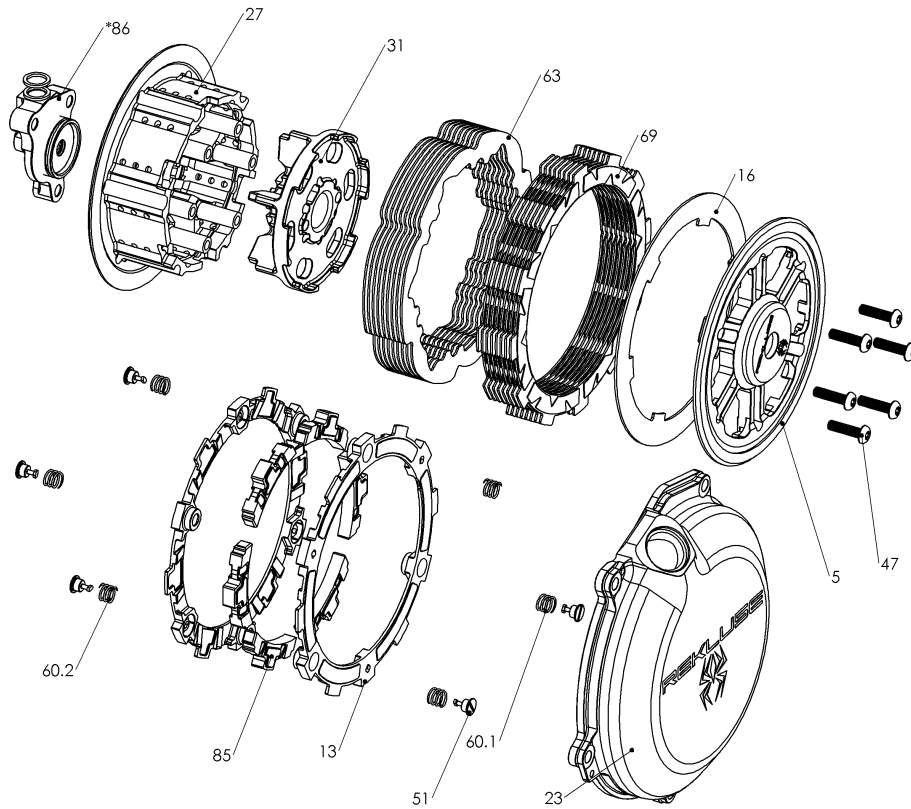


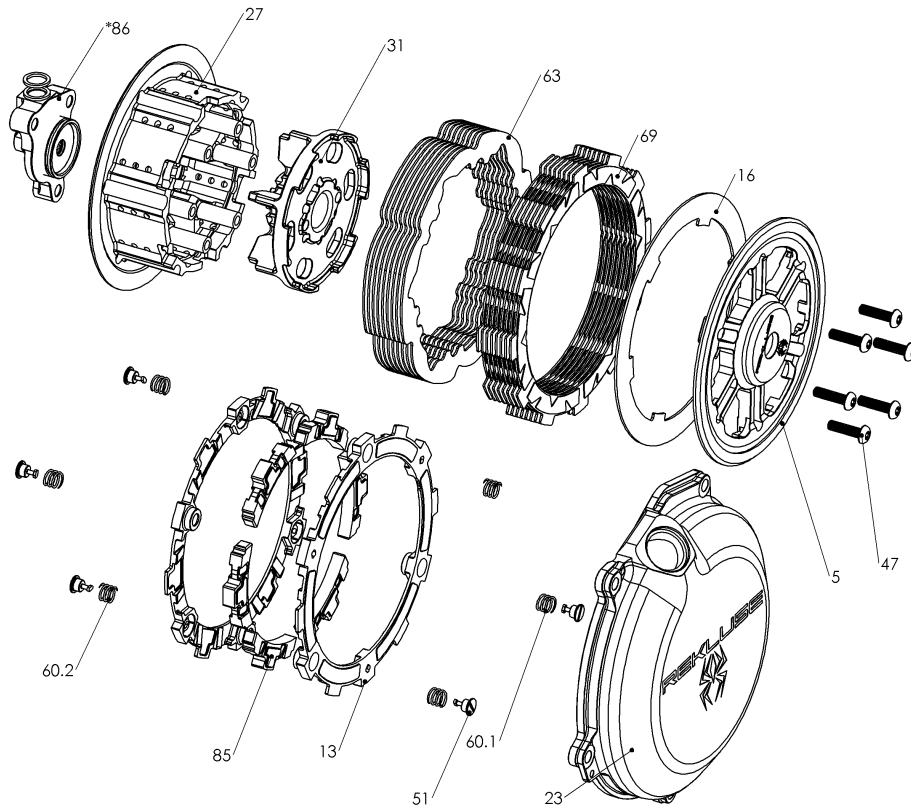
RMS-7913097A - Radius CX Clutch (DDS)



**SLAVE CYLINDER ASSEMBLY FICHE CAN BE VIEWED SEPARATELY.
REBUILD KIT ALSO AVAILABLE SEPERATELY FROM REKLUSE.*

Item	Part Number	Item Description	Qty
5	113-008	PRESSURE PLATE - Core EXP - KTM DDS Clutch	1
13	140-215B	EXP 3.0 BASE - KT350	2
16	143-010	EXP LINING PLATE - KTM	1
23	169-934D	CLUTCH COVER - KT450/KT500	1
27	178-034D	CENTER CLUTCH - CORE EXP/CORE MANUAL - KTM 350/450	1
30	183-002	HARDWARE - Core Center Clutch Tab Lock Washer 27mm	1
31	184-021C	CENTER HUB, INNER - KTM DDS	1
47	411-154A	FASTENER - M5 x 20 Button-Head T-25 Torx Screw 10.9	6
Not Shown	411-906	HARDWARE - T-25 Torx Bit	1
Not Shown	415-000	FASTENER - Quarter Turn Pin	2
51	415-000	FASTENER - Quarter Turn Pin	6
Not Shown	419-120	HARDWARE - 1 Orange Free Play Gain Rubber Band	1
Not Shown	442-003	EXP ADJUSTMENT SPRING EXP - Heavy (Blue)	3
60.1	442-003	EXP ADJUSTMENT SPRING EXP - Heavy (Blue)	3
Not Shown	442-004	EXP ADJUSTMENT SPRING EXP - Super Heavy (Gold)	3

RMS-7913097A - Radius CX Clutch (DDS)



**SLAVE CYLINDER ASSEMBLY FICHE CAN BE VIEWED SEPARATELY.
REBUILD KIT ALSO AVAILABLE SEPERATELY FROM REKLUSE.*

Item	Part Number	Item Description	Qty
60.2	442-004	EXP ADJUSTMENT SPRING EXP - Super Heavy (Gold)	3
63	460-610B	DRIVE PLATE - 0.040 Wavy - KT 6-pin	9
69	469-236A	FRICTION DISK - KT350 TORQ-DRIVE - 2-Segment Pads	8
85	741-016B	EXP 3.0 WEDGE ASSEMBLY - KT350 - Medium	6
86	742-002D	ADJUSTABLE SLAVE CYLINDER ASSEMBLY - Housing-100, Pist	1