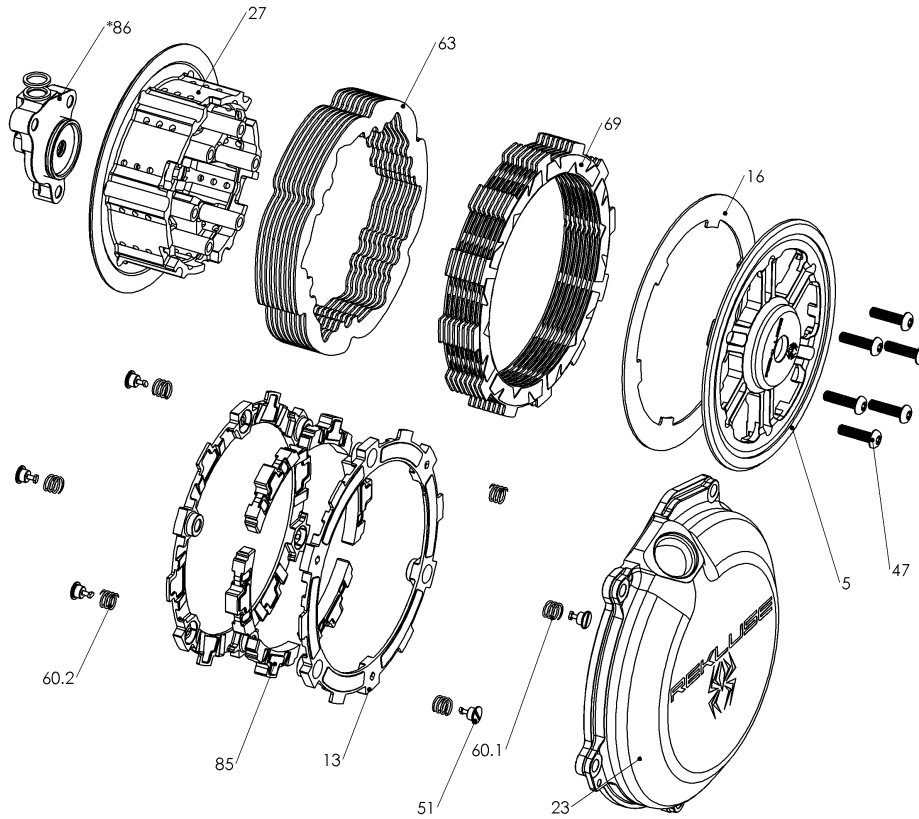


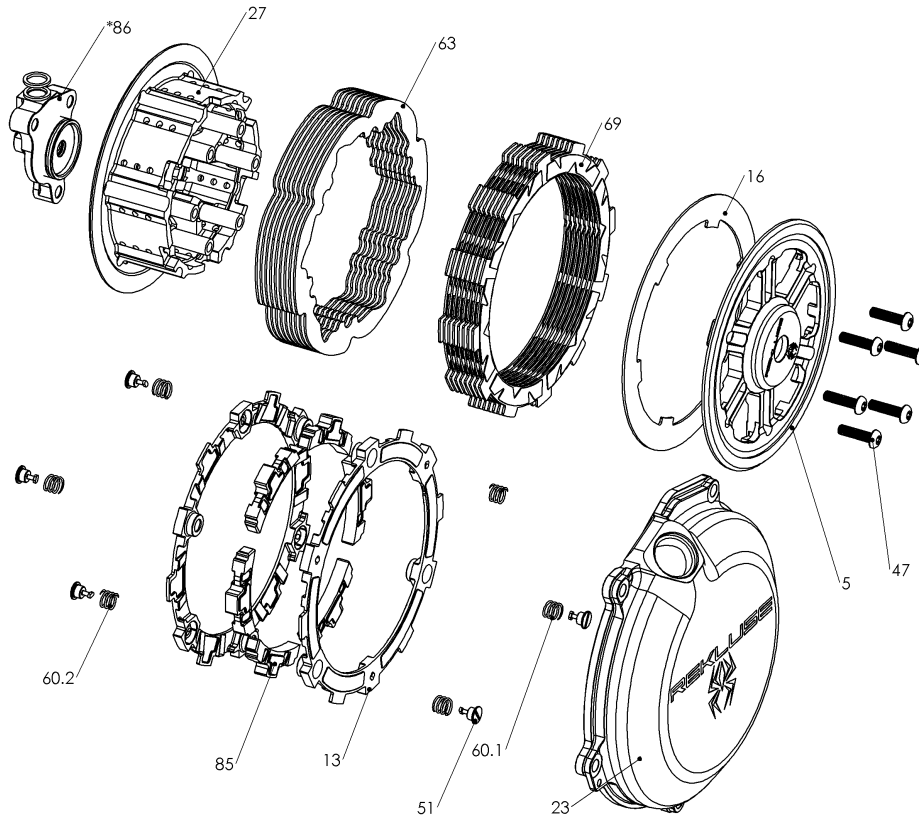
# RMS-7913085B - RADIUSCX CLUTCH (DDS)



*\*SLAVE CYLINDER ASSEMBLY FICHE CAN BE VIEWED SEPARATELY.  
REBUILD KIT ALSO AVAILABLE SEPERATELY FROM REKLUSE.*

Item	Part Number	Item Description	Qty
5	113-008	PRESSURE PLATE - Core EXP - KTM DDS Clutch	1
13	140-215B	EXP 3.0 BASE - KT350	2
16	143-010	EXP LINING PLATE - KTM	1
23	169-935C	CLUTCH COVER - KT350	1
27	178-034D	CENTER CLUTCH - CORE EXP/CORE MANUAL - KTM 350/450	1
47	411-154A	FASTENER - M5 x 20 Button-Head T-25 Torx Screw 10.9	6
Not Shown	411-906	HARDWARE - T-25 Torx Bit	1
Not Shown	415-000	FASTENER - Quarter Turn Pin	2
51	415-000	FASTENER - Quarter Turn Pin	6
Not Shown	419-120	HARDWARE - 1 Orange Free Play Gain Rubber Band	1
Not Shown	419-300A	HARDWARE - Thread Insert - 8 x 1.0 - 8mm Length	1
60.1	442-001	EXP ADJUSTMENT SPRING EXP - Light (Silver)	3
Not Shown	442-001	EXP ADJUSTMENT SPRING EXP - Light (Silver)	3
60.2	442-002	EXP ADJUSTMENT SPRING EXP - Medium (Red)	3
Not Shown	442-002	EXP ADJUSTMENT SPRING EXP - Medium (Red)	3

# RMS-7913085B - RADIUSCX CLUTCH (DDS)



*\*SLAVE CYLINDER ASSEMBLY FICHE CAN BE VIEWED SEPARATELY.  
REBUILD KIT ALSO AVAILABLE SEPERATELY FROM REKLUSE.*

Item	Part Number	Item Description	Qty
63	460-610B	DRIVE PLATE - 0.040 Wavy - KT 6-pin	9
69	469-336A	FRICTION DISK - KT350 TORQ-DRIVE - 2-Segment Pads	8
85	741-016B	EXP 3.0 WEDGE ASSEMBLY - KT350 - Medium	6
86	742-003D	ADJUSTABLE SLAVE CYLINDER ASSEMBLY - Housing-101, Pist	1
28	180-101B	SLAVE CYLINDER HOUSING - KT350 Adjustable Slave Cylinde	1
28.1	180-107	SLAVE CYLINDER ADJUSTER - Screw, M6x7mm	1
28.2	180-213A	SLAVE CYLINDER PISTON - DIV 1.5	1
50	414-230	HARDWARE - Crush Washers: 10mm	2
53	418-804	HARDWARE - 021 EPDM X Ring Black	1
53.1	418-907	HARDWARE - 011 EPDM O-ring	2
53.2	418-915A	HARDWARE - BUNA O-ring, size 30mmID x 1.5mmW, Black	1
53.3	418-917A	HARDWARE - 1.5x24mm Viton O-ring, 75Dur	1
Not Show	419-104	HARDWARE - 15 in L X 1/4OD. X .17ID. Clear Vinyl Tube	1
55	420-302A	GASKET - Slave Cylinder - Brembo - fits 180-101	1
56	431-304	BALL BEARING - 1/4in Chrome Steel Ball	1