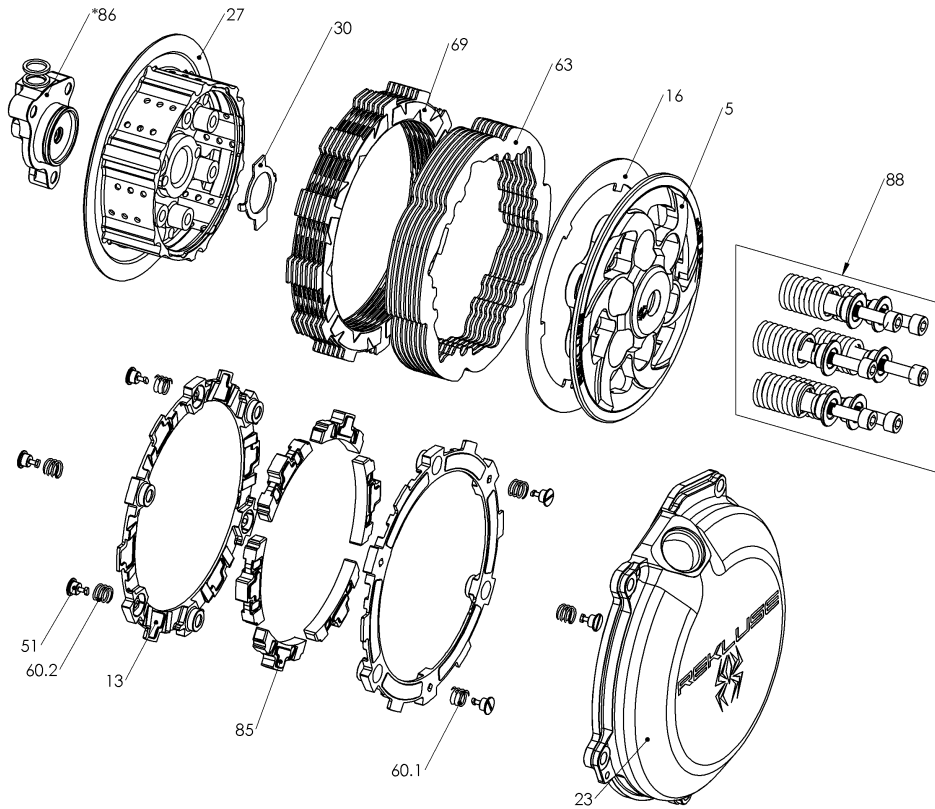


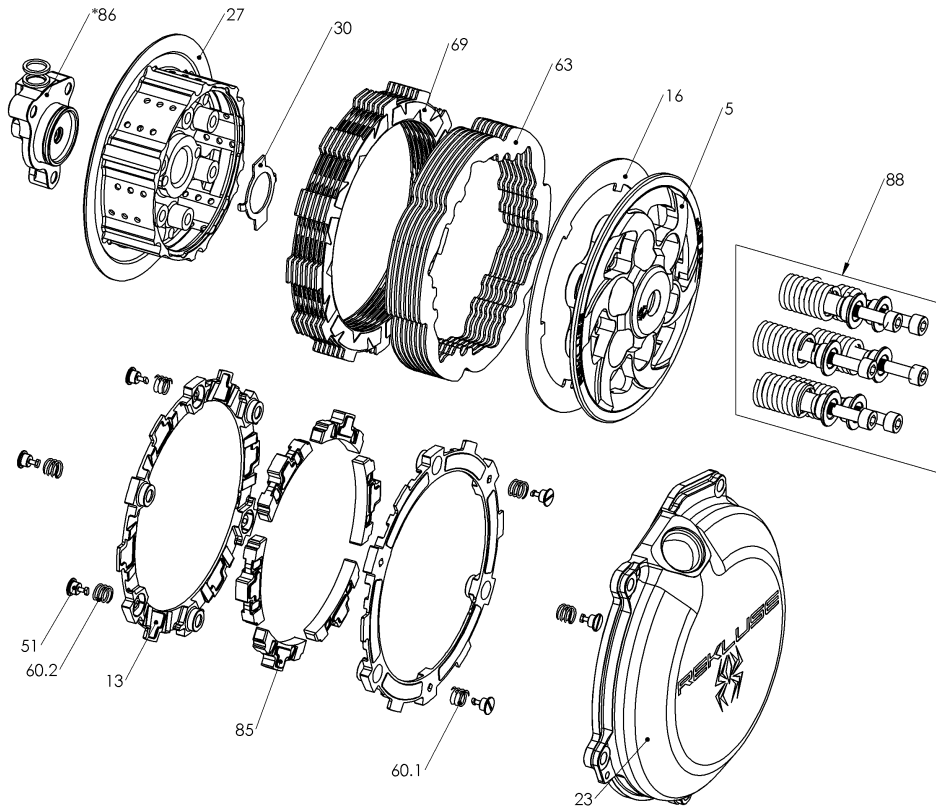
## RMS-7913081C - RADIUSCX CLUTCH (CSS)



*\*SLAVE CYLINDER ASSEMBLY FICHE CAN BE VIEWED SEPARATELY.  
REBUILD KIT ALSO AVAILABLE SEPERATELY FROM REKLUSE.*

Item	Part Number	Item Description	Qty
5	113-024A	PRESSURE PLATE - CORE EXP 3.0 - KTM250F,350F CSS 16+	1
13	140-215D	EXP 3.0 BASE - KT350	2
16	143-012A	EXP LINING PLATE - KTM	1
23	169-993A	CLUTCH COVER - KTM 250/350	1
27	178-038D	CENTER CLUTCH - CORE EXP/CORE MANUAL - KTM 250F,35	1
30	183-002	HARDWARE - Core Center Clutch Tab Lock Washer 27mm	1
Not Shown	415-000	FASTENER - Quarter Turn Pin	2
51	415-000	FASTENER - Quarter Turn Pin	6
Not Shown	419-120	HARDWARE - 1 Orange Free Play Gain Rubber Band	1
Not Shown	442-001	EXP ADJUSTMENT SPRING EXP - Silver	3
60	442-002	EXP ADJUSTMENT SPRING EXP - Red	6
Not Shown	442-003	EXP ADJUSTMENT SPRING EXP - Blue	3
63	460-710A	DRIVE PLATE - 0.040 TEC 2 - KT 6-pin	8
69	469-536A	FRICITION DISK - KT350 TORQ-DRIVE - 2-Segment Pads	7
85	741-016B	EXP 3.0 WEDGE ASSEMBLY - KT350 - Medium	6

# RMS-7913081C - RADIUSCX CLUTCH (CSS)



*\*SLAVE CYLINDER ASSEMBLY FICHE CAN BE VIEWED SEPARATELY.  
REBUILD KIT ALSO AVAILABLE SEPERATELY FROM REKLUSE.*

Item	Part Number	Item Description	Qty
86	742-028E	ADJUSTABLE SLAVE CYLINDER ASSEMBLY - Housing-122, Pist	1
88	744-020	CORE CLUTCH SPRING KIT - 450 - Heavy (Blue)	1
31	184-101B	HARDWARE - EXP Screw Sleeve	6
47	411-135	FASTENER - M6 x 40mm Socket Head Cap Screw	6
60.1	442-102	PRESSURE PLATE SPRING - 450 Class Bikes Heavy Blue	6
Not Shown	821-013A	Prop. 65 Warning Label	1