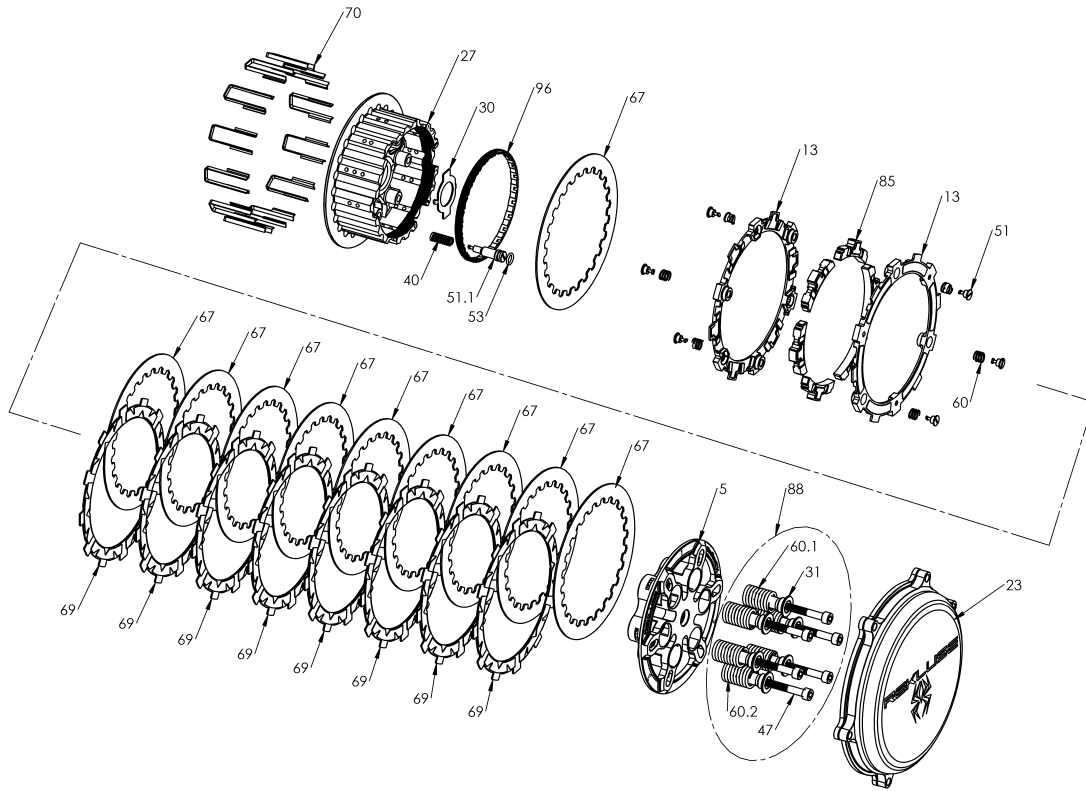
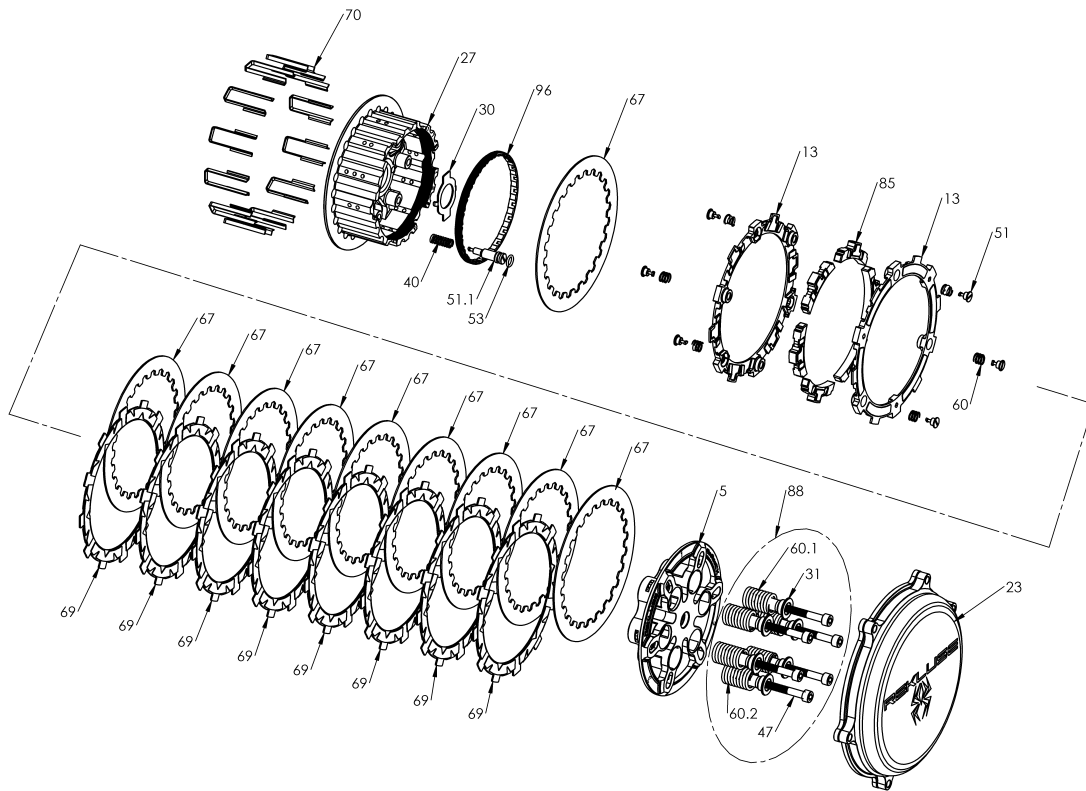


RMS-7907074C - RADIUSCX CLUTCH



Item	Part Number	Item Description	Qty
5	113-111A	PRESSURE PLATE - RadiusCX - Y450	1
13	140-221B	EXP 3.0 BASE - Y450 TD	2
23	169-773A	CLUTCH COVER - TorqDrive - YZ450F (05-09), WR450F, YFZ4	1
96	172-001A	HUB ADJUSTER RING - 450 Size	1
27	178-111A	CENTER CLUTCH HUB - RadiusCX/Core - Y450	1
30	183-001A	HARDWARE - Core 450 Center Clutch Tab Lock Washer	1
51	415-000	FASTENER - Quarter Turn Pin	6
Not Shown	415-000	FASTENER - Quarter Turn Pin	2
51.1	415-001A	FASTENER - Quarter-Turn Pin, CX Hub	1
53	418-911A	HARDWARE - V75 Viton O-ring, Black, Size -010	1
Not Shown	418-911A	HARDWARE - V75 Viton O-ring, Black, Size -010	1
Not Shown	419-121	HARDWARE - 0.5 Black Free Play Gain Rubber Band	1
Not Shown	419-711A	HARDWARE - Velcro Strap 1in X 12in	1
40	440-005A	SPRING - CX Hub Coil Spring	1
Not Shown	442-001	EXP ADJUSTMENT SPRING EXP - Light (Silver)	3

RMS-7907074C - RADIUSCX CLUTCH



Item	Part Number	Item Description	Qty
60	442-002	EXP ADJUSTMENT SPRING EXP - Medium (Red)	6
Not Shown	442-003	EXP ADJUSTMENT SPRING EXP - Heavy (Blue)	6
67	465-483B	DRIVE PLATE - 0.048 zSP/Core RMS Y450 Precision	10
69	469-332A	FRICTION DISK - Y450 TORQ-DRIVE - 2-Segment Pads	8
70	471-300	BASKET SLEEVE - Dirt Bikes	12
Not Shown	491-011A	MISCELLANEOUS - Permanent Marker Pen	1
85	741-012B	EXP 3.0 WEDGE ASSEMBLY - H450 - Medium	6
88	744-015A	CORE CLUTCH SPRING KIT - 450 - 3 Red, 3 Blue	1
31	184-101B	HARDWARE - EXP Screw Sleeve	6
47	411-140	FASTENER - M6-1 x 35mm Thermal Black Socket Cap Screw	6
60.1	442-101	PRESSURE PLATE SPRING - 450 Class Bikes Medium Red (incl	3
60.2	442-102	PRESSURE PLATE SPRING - 450 Class Bikes Heavy Blue	3