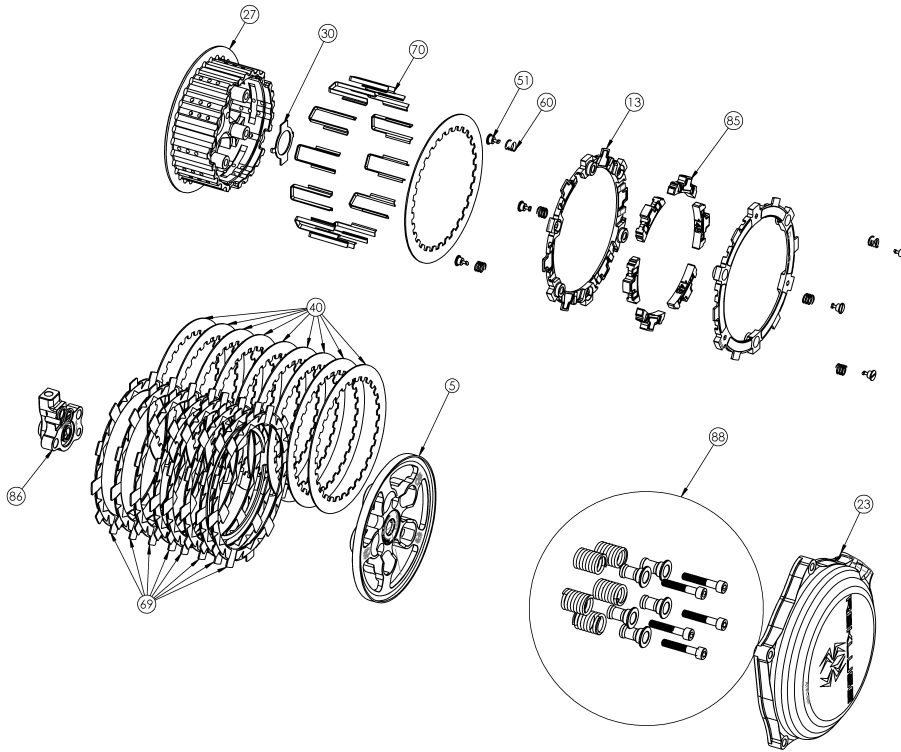


RMS-7904140B-RADIUSCX CLUTCH - Kawasaki KX250F (21)



Item	Part Number	Item Description	Qty
5	113-119	PRESSURE PLATE - RadiusCX - K250 21+	1
13	140-224	EXP 3.0 BASE - K250 TD	2
23	169-741	CLUTCH COVER - TorqDrive - KX250F (21+)	1
27	178-119	CENTER CLUTCH - CORE EXP/CORE MANUAL - K	1
30	183-002	HARDWARE - Core Center Clutch Tab Lock W	1
51	415-000	FASTENER - Quarter Turn Pin	6
NOT SHOWN	415-000	FASTENER - Quarter Turn Pin	2
NOT SHOWN	419-121	HARDWARE - 0.5 Black Free Play Gain Rubb	1
60	442-001	EXP ADJUSTMENT SPRING EXP - Silver	6
NOT SHOWN	442-002	EXP ADJUSTMENT SPRING EXP - Red	3
NOT SHOWN	442-007	EXP ADJUSTMENT SPRING EXP - 2LB (Steel)	3
40	460-501	DRIVE PLATE - 0.040 Core RMS 250F L-ID	10
69	469-535	FRICTION DISK - K250 TORQ-DRIVE - 2-Segm	8
70	471-307	BASKET SLEEVE - H1.53	12
85	741-014	EXP 3.0 WEDGE ASSEMBLY - H250 - MED	6
86	742-057	ADJ SLAVE CYL ASSEMBLY H156 P349 BF	1
88	744-040	CORE SPRING KIT 250 HEAVY GOLD	1
Not Shown	821-079	PROMOTIONAL - Decal - Small - Orange	1
Not Shown	821-080	PROMOTIONAL - Decal - Small - Black	1