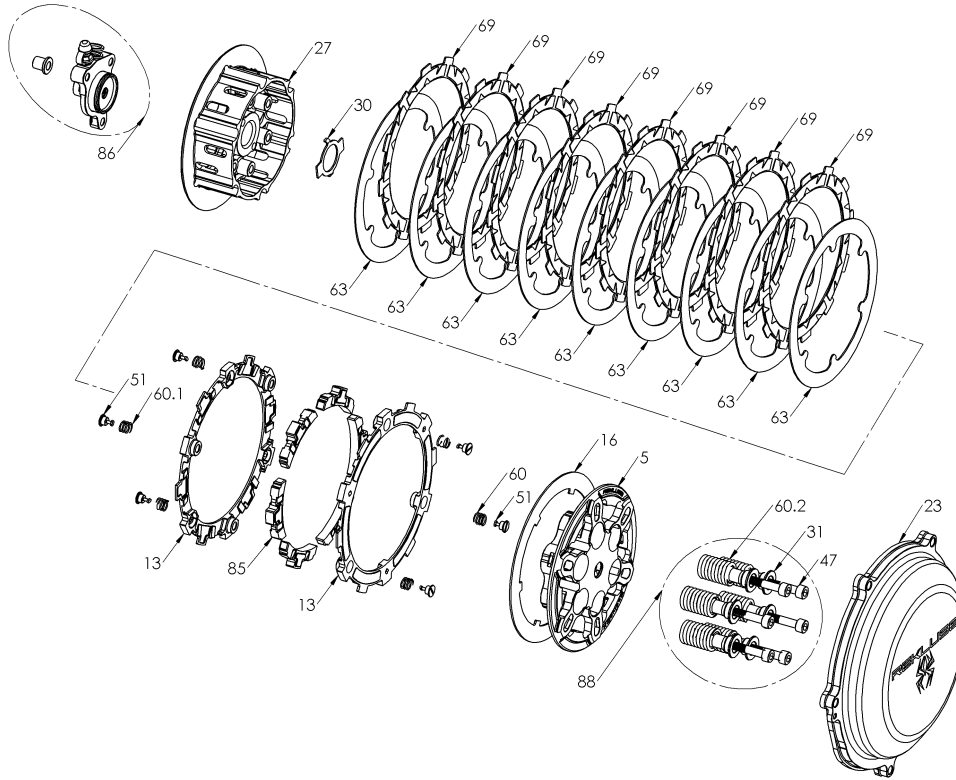


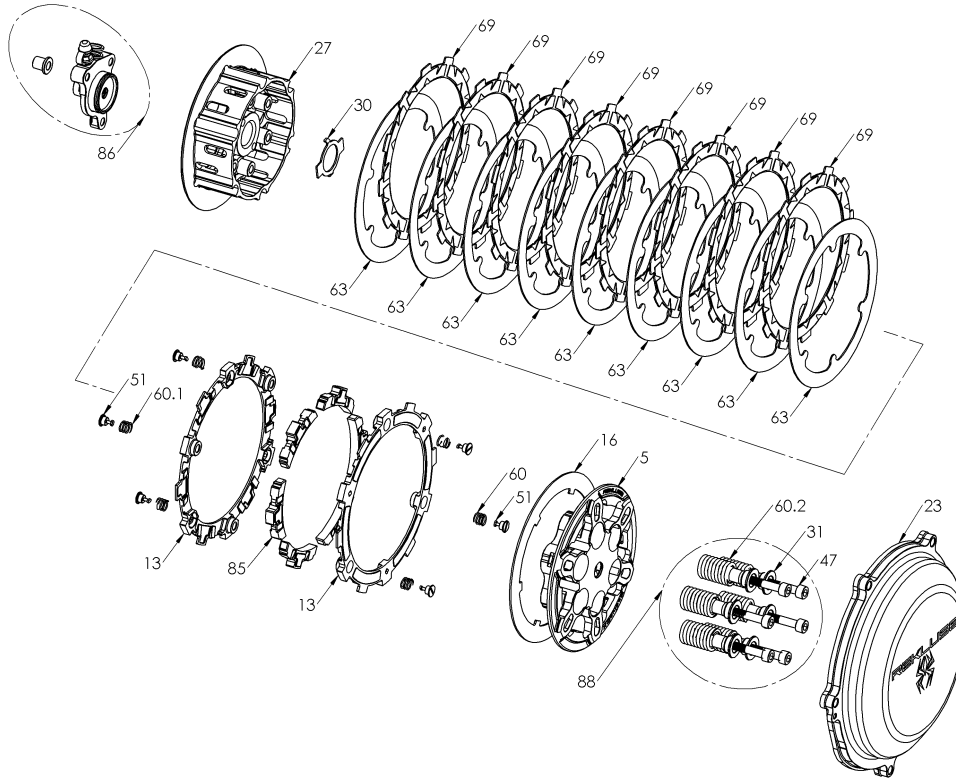
# RMS-7902022A - RADIUSCX CLUTCH



*\*SLAVE CYLINDER ASSEMBLY FICHE CAN BE VIEWED SEPARATELY.  
REBUILD KIT ALSO AVAILABLE SEPERATELY FROM REKLUSE.*

| Item      | Part Number | Item Description                                       | Qty |
|-----------|-------------|--|-----|
| 5         | 113-120A    | PRESSURE PLATE - RadiusCX - B450                       | 1   |
| 13        | 140-215D    | EXP 3.0 BASE - KT350                                   | 2   |
| 16        | 143-012A    | EXP LINING PLATE - KTM                                 | 1   |
| 23        | 169-922A    | CLUTCH COVER - Beta 2T (18)                            | 1   |
| 27        | 178-120A    | CENTER CLUTCH HUB - RadiusCX/Core - Beta 2T & 4T (18+) | 1   |
| 30        | 183-002     | HARDWARE - Core Center Clutch Tab Lock Washer 27mm     | 1   |
| Not Shown | 415-000     | FASTENER - Quarter Turn Pin                            | 2   |
| 51        | 415-000     | FASTENER - Quarter Turn Pin                            | 6   |
| Not Shown | 419-120     | HARDWARE - 1 Orange Free Play Gain Rubber Band         | 1   |
| Not Shown | 419-711A    | HARDWARE - Velcro Strap 1in X 12in                     | 1   |
| 60        | 442-001     | EXP ADJUSTMENT SPRING EXP - Silver                     | 3   |
| Not Shown | 442-001     | EXP ADJUSTMENT SPRING EXP - Silver                     | 3   |
| Not Shown | 442-002     | EXP ADJUSTMENT SPRING EXP - Red                        | 3   |
| 60.1      | 442-002     | EXP ADJUSTMENT SPRING EXP - Red                        | 3   |
| 63        | 460-621A    | DRIVE PLATE - 0.040 BETA Lobed - Inverted 6-Pin        | 9   |

# RMS-7902022A - RADIUSCX CLUTCH



*\*SLAVE CYLINDER ASSEMBLY FICHE CAN BE VIEWED SEPARATELY.  
REBUILD KIT ALSO AVAILABLE SEPERATELY FROM REKLUSE.*

| Item      | Part Number | Item Description   | Qty |
|-----------|-------------|--|-----|
| 69        | 469-536A    | FRICITION DISK - KT350 TORQ-DRIVE - 2-Segment Pads       | 8   |
| 85        | 741-015B    | EXP 3.0 WEDGE ASSEMBLY - KT350 - Heavy                   | 6   |
| 86        | 742-031D    | ADJUSTABLE SLAVE ASSEMBLY - Housing 180-120, Piston 18   | 1   |
| 88        | 744-010     | CORE CLUTCH SPRING KIT - 450 - Medium (Red)              | 1   |
| 31        | 184-101B    | HARDWARE - EXP Screw Sleeve                              | 6   |
| 47        | 411-135     | FASTENER - M6 x 40mm Socket Head Cap Screw               | 6   |
| 60.2      | 442-101     | PRESSURE PLATE SPRING - 450 Class Bikes Medium Red (incl | 6   |
| Not Shown | 821-013A    | Prop. 65 Warning Label                                   | 1   |