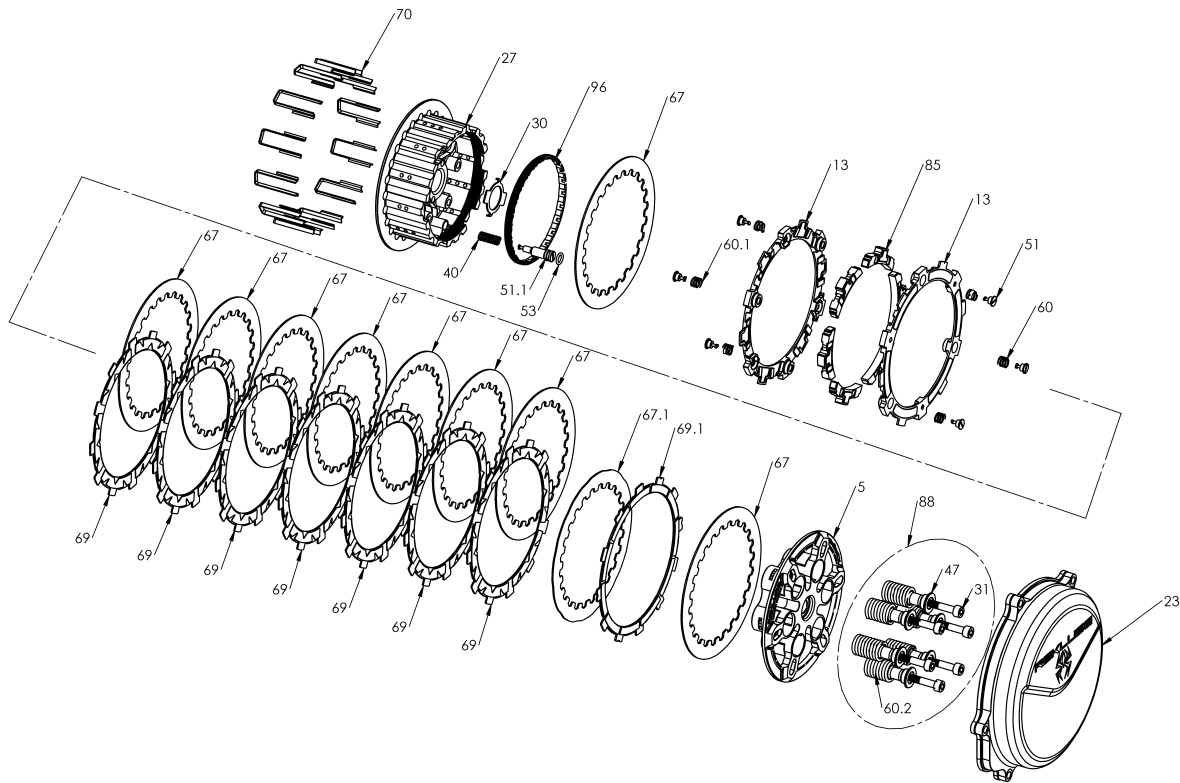
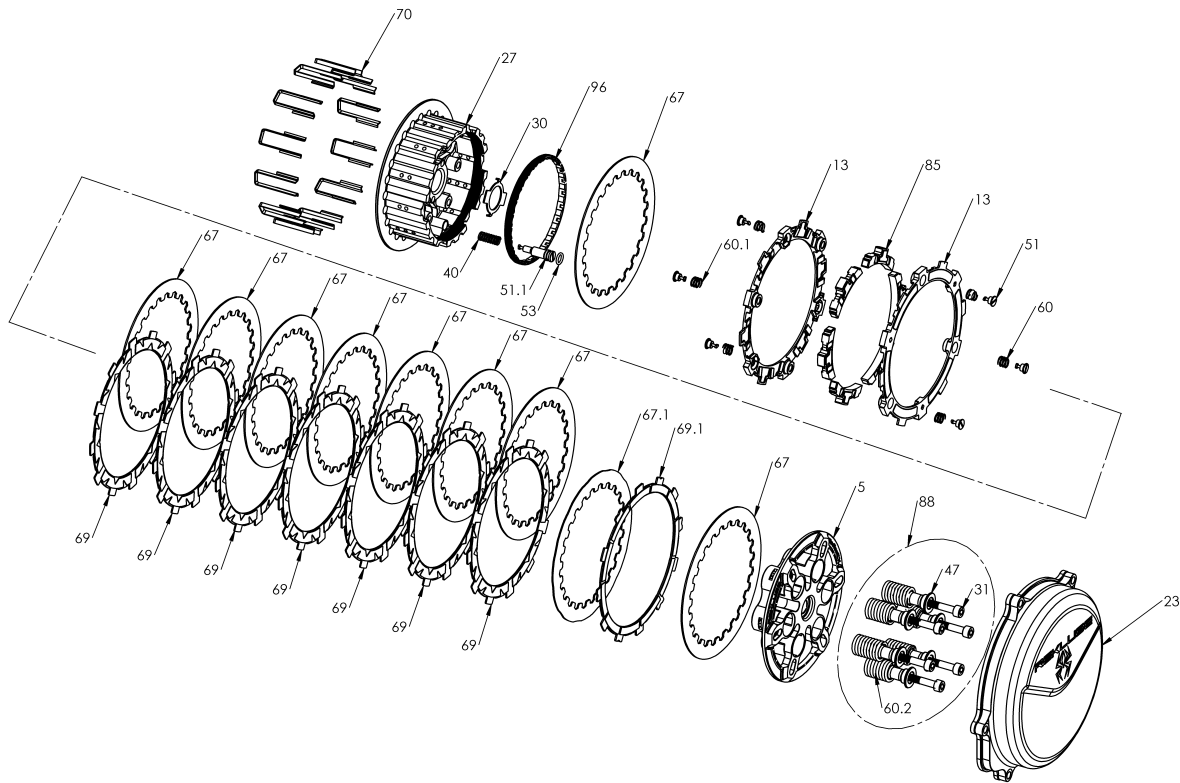


RMS-7901002A - RADIUSCX CLUTCH



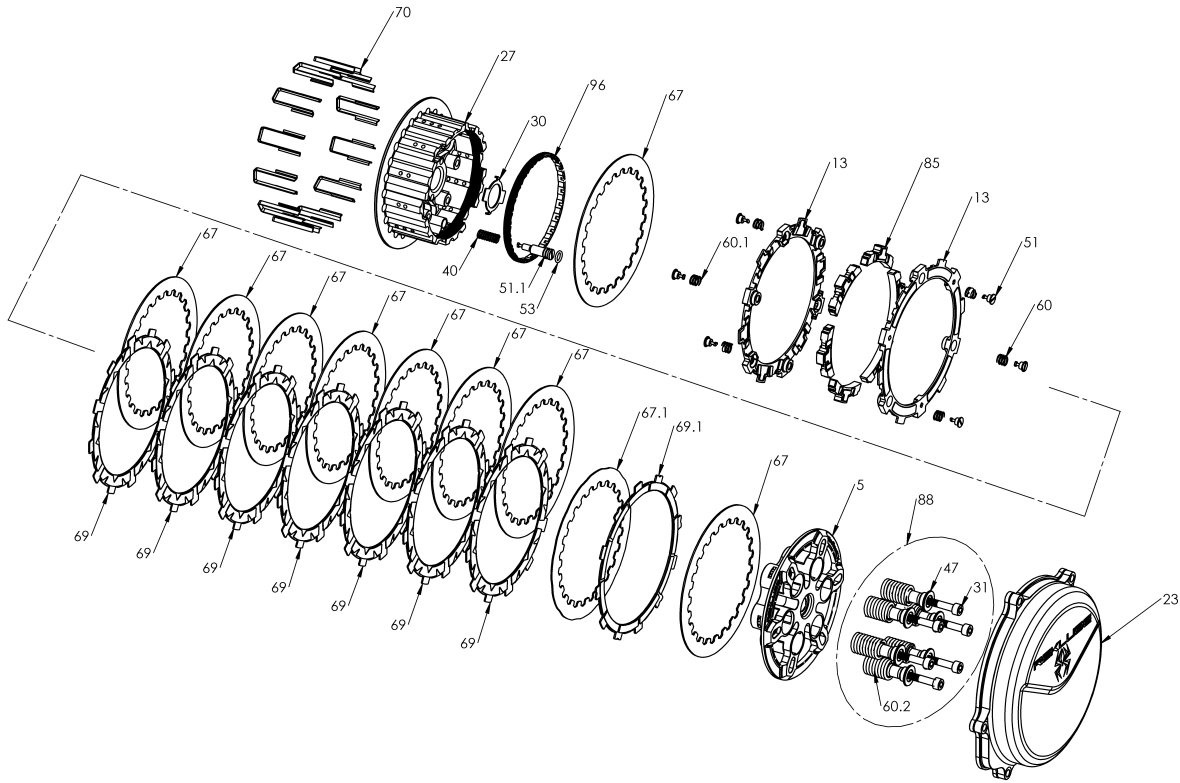
Item	Part Number	Item Description	Qty
5	113-125A	PRESSURE PLATE - RadiusCX - 05-17 CRF450X	1
13	140-220C	EXP 3.0 BASE - H450 TD	2
23	169-708A	CLUTCH COVER - Honda CRF450R, CRF450RX (19)	1
96	172-001A	HUB ADJUSTER RING - 450 Size	1
27	178-113B	CENTER CLUTCH HUB - RadiusCX/Core - 17 H450	1
30	183-004A	HARDWARE - Core Center Clutch Tab Lock Washer 27mm S	1
Not Shown	411-182A	FASTENER - 18-8 Stainless Steel Hex-Head Screw - M6 Size, 3	1
51	415-000	FASTENER - Quarter Turn Pin	6
Not Shown	415-000	FASTENER - Quarter Turn Pin	2
51.1	415-002A	FASTENER - Quarter-Turn Pin, CX Hub	1
Not Shown	418-301B	HARDWARE - Clutch Cover O-Ring Cord-Viton - 25in long	1
53	418-911A	HARDWARE - V75 Viton O-ring, Black, Size -010	1
Not Shown	418-911A	HARDWARE - V75 Viton O-ring, Black, Size -010	1
Not Shown	419-121	HARDWARE - 0.5 Black Free Play Gain Rubber Band	1
Not Shown	419-711A	HARDWARE - Velcro Strap 1in X 12in	1

RMS-7901002A - RADIUSCX CLUTCH



Item	Part Number	Item Description	Qty
40	440-005A	SPRING - CX Hub Coil Spring	1
60	442-003	EXP ADJUSTMENT SPRING EXP - Blue	3
Not Shown	442-003	EXP ADJUSTMENT SPRING EXP - Blue	3
Not Shown	442-004	EXP ADJUSTMENT SPRING EXP - Gold	3
60.1	442-004	EXP ADJUSTMENT SPRING EXP - Gold	3
67.1	465-415A	DRIVE PLATE - 1050 0.040 - RadiusCX H450	1
67	465-481B	DRIVE PLATE - 0.048 zSP/Core RMS H450 Precision	9
69.1	469-320A	FRICITION DISK - Thin Judder Friction .078 - H450	1
69	469-331A	FRICITION DISK - H450 TORQ-DRIVE - 2-Segment Pads	7
70	471-300	BASKET SLEEVE - H1.63 - 4S	12
Not Shown	491-011A	MISCELLANEOUS - Permanent Marker Pen	1
85	741-012B	EXP 3.0 WEDGE ASSEMBLY - H450 - Medium	6
88	744-010	CORE CLUTCH SPRING KIT - 450 - Medium (Red)	1
31	184-101B	HARDWARE - EXP Screw Sleeve	6
47	411-135	FASTENER - M6 x 40mm Socket Head Cap Screw	6

RMS-7901002A - RADIUSCX CLUTCH



Item	Part Number	Item Description	Qty
60.2	442-101	PRESSURE PLATE SPRING - 450 Class Bikes Medium Red (incl	6