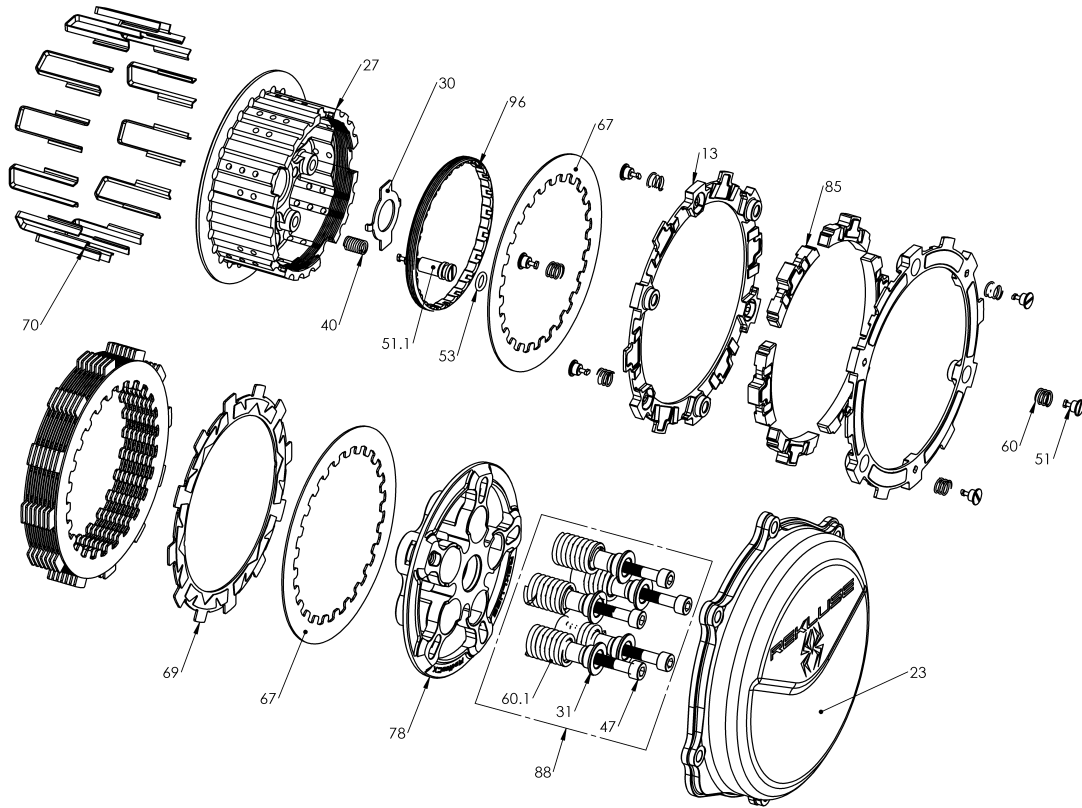
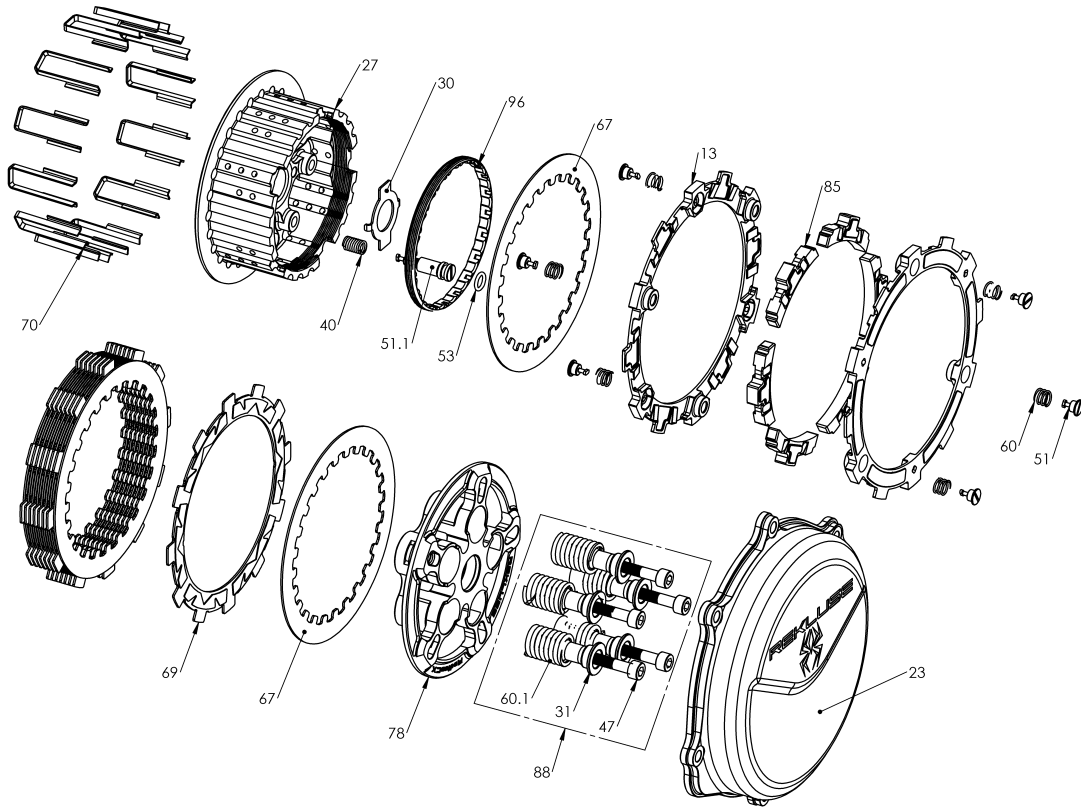


RMS-7901001D - RADIUSCX CLUTCH



Item	Part Number	Item Description	Qty
13	140-223C	EXP 3.0 BASE - H250 TD	2
23	169-705A	CLUTCH COVER - TorqDrive,RadiusCX - 18+ Honda CRF250R	1
96	172-002A	HUB ADJUSTER RING - 250 Size	1
27	178-102A	CENTER CLUTCH HUB - RadiusCX/Core - 10 H250	1
30	183-004A	HARDWARE - Core Center Clutch Tab Lock Washer 27mm S	1
51	415-000	FASTENER - Quarter Turn Pin	6
Not Shown	415-000	FASTENER - Quarter Turn Pin	2
51.1	415-002A	FASTENER - Quarter-Turn Pin, CX Hub	1
Not Shown	418-301B	HARDWARE - Clutch Cover O-Ring Cord-Viton - 25in long	1
53	418-911A	HARDWARE - V75 Viton O-ring, Black, Size -010	1
Not Shown	418-911A	HARDWARE - V75 Viton O-ring, Black, Size -010	1
Not Shown	419-121	HARDWARE - 0.5 Black Free Play Gain Rubber Band	1
Not Shown	419-711A	HARDWARE - Velcro Strap 1in X 12in	1
40	440-005A	SPRING - CX Hub Coil Spring	1
Not Shown	442-001	EXP ADJUSTMENT SPRING EXP - Silver	3

RMS-7901001D - RADIUSCX CLUTCH



Item	Part Number	Item Description	Qty
60	442-001	EXP ADJUSTMENT SPRING EXP - Silver	3
60.1	442-002	EXP ADJUSTMENT SPRING EXP - Red	3
Not Shown	442-002	EXP ADJUSTMENT SPRING EXP - Red	3
67	465-400B	DRIVE PLATE - 0.040 Core RMS TC250 Precision	10
69	469-334A	FRICITION DISK - H250 TORQ-DRIVE - 2-Segment Pads	8
70	471-307A	BASKET SLEEVE - H1.53	12
91	491-011A	MISCELLANEOUS - Permanent Marker Pen	1
78	710-248A	PRESSURE PLATE ASSEMBLY - RadiusCX - CRF250R (18+) 113	1
85	741-014B	EXP 3.0 WEDGE ASSEMBLY - H250 - Medium	6
88	744-040	CORE CLUTCH SPRING KIT - 250 - Heavy (Gold)	1
31	184-101B	HARDWARE - EXP Screw Sleeve	5
47	411-140	FASTENER - M6-1 x 35mm Thermal Black Socket Cap Screw	5
60.2	442-104	PRESSURE PLATE SPRING - 250 Class Bikes Heavy Gold	5