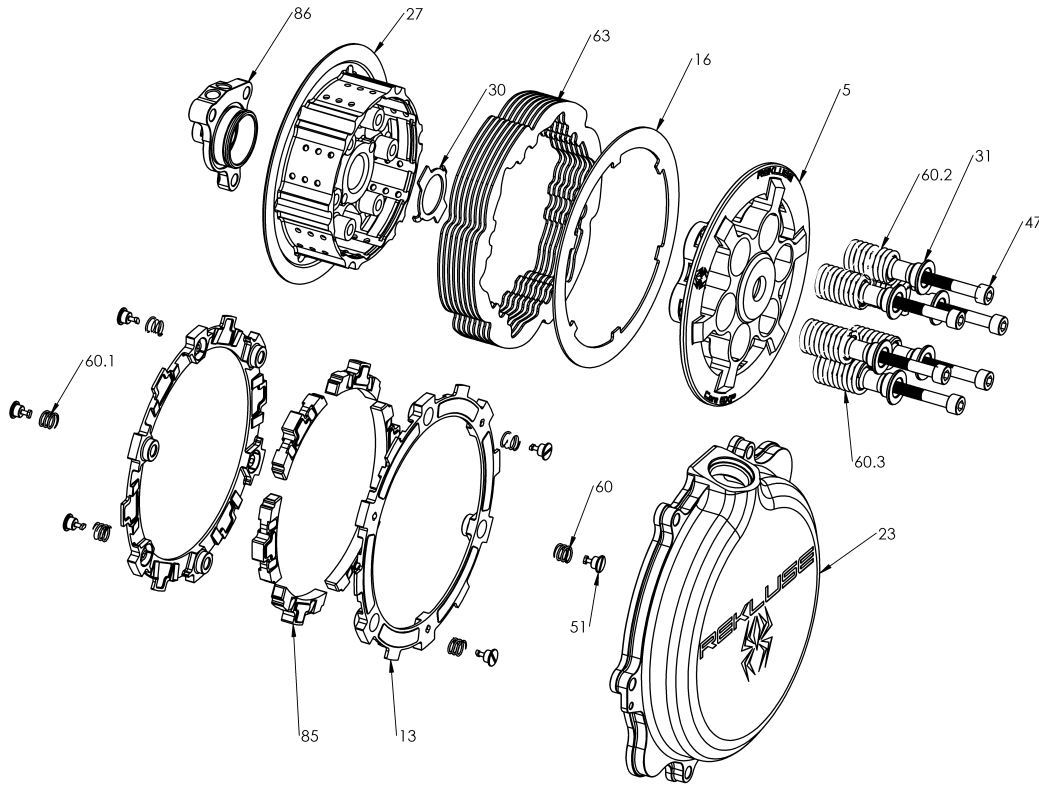


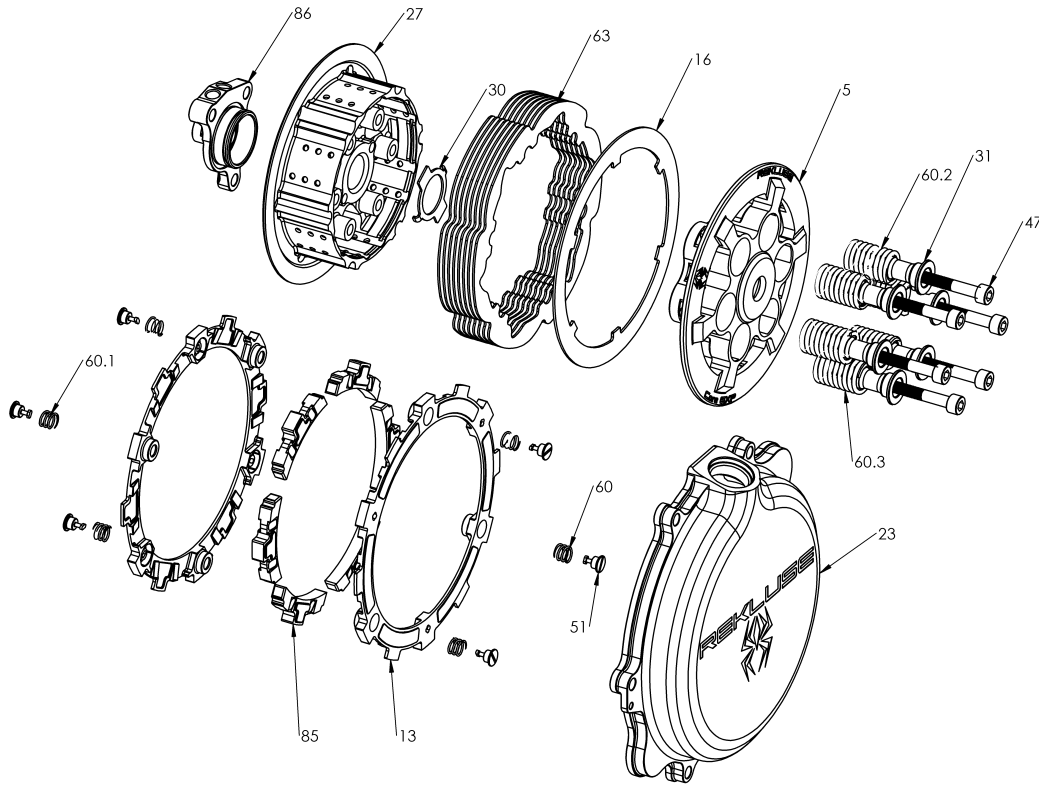
# RMS-7783F - CORE EXP 3.0 CLUTCH



*\*SLAVE CYLINDER ASSEMBLY FICHE CAN BE VIEWED SEPARATELY.  
REBUILD KIT ALSO AVAILABLE SEPERATELY FROM REKLUSE.*

Item	Part Number	Item Description	Qty
5	113-019B	PRESSURE PLATE - Core EXP 3.0 - KTM Freeride 250	1
13	140-215B	EXP 3.0 BASE - KT350	2
16	143-012A	EXP LINING PLATE - KTM	1
23	169-986A	CLUTCH COVER - KTM/Husqvarna 250/300 2-stroke	1
27	178-038D	CENTER CLUTCH - CORE EXP/CORE MANUAL - KTM 250F,35	1
30	183-002	HARDWARE - Core Center Clutch Tab Lock Washer 27mm	1
Not Shown	415-000	FASTENER - Quarter Turn Pin	2
51	415-000	FASTENER - Quarter Turn Pin	6
Not Shown	419-120	HARDWARE - 1 Orange Free Play Gain Rubber Band	1
60	442-001	EXP ADJUSTMENT SPRING EXP - Light (Silver)	3
Not Shown	442-002	EXP ADJUSTMENT SPRING EXP - Medium (Red)	6
60.1	442-003	EXP ADJUSTMENT SPRING EXP - Heavy (Blue)	3
63	460-610B	DRIVE PLATE - 0.040 Wavy - KT 6-pin	8
85	741-015B	EXP 3.0 WEDGE ASSEMBLY - KT350 - Heavy	6
86	742-016D	ADJUSTABLE SLAVE CYLINDER ASSEMBLY - Housing-119, Pis	1

# RMS-7783F - CORE EXP 3.0 CLUTCH



*\*SLAVE CYLINDER ASSEMBLY FICHE CAN BE VIEWED SEPARATELY.  
REBUILD KIT ALSO AVAILABLE SEPERATELY FROM REKLUSE.*

Item	Part Number	Item Description	Qty
28	180-107	SLAVE CYLINDER ADJUSTER - Screw, M6x7mm	1
28.1	180-119D	Adjustable Slave Cylinder Housing - Formula	1
28.2	180-213A	SLAVE CYLINDER PISTON - DIV 1.5	1
53	418-804	HARDWARE - 021 EPDM X Ring Black	1
53.1	418-907	HARDWARE - 011 EPDM O-ring	2
53.2	418-915A	HARDWARE - BUNA O-ring, size 30mmID x 1.5mmW, Black	1
53.3	418-917A	HARDWARE - 1.5x24mm Viton O-ring, 75Dur	1
Not Show	419-104	HARDWARE - 15 in L X 1/4OD. X .17ID. Clear Vinyl Tube	1
55	420-301A	GASKET - Slave Cylinder - Mag,Form - fits 180-100,-112,-119	1
56	431-304	BALL BEARING - 1/4in Chrome Steel Ball	1
88	744-090A	CORE CLUTCH SPRING KIT - 250 Freeride - (3 Silver, 3 Gold)	1
31	184-101B	HARDWARE - EXP Screw Sleeve	6
47	411-140	FASTENER - M6-1 x 35mm Thermal Black Socket Cap Screw	6
60.2	442-103	PRESSURE PLATE SPRING - 250 Class Bikes Medium Silver	3
60.3	442-104	PRESSURE PLATE SPRING - 250 Class Bikes Heavy Gold	3