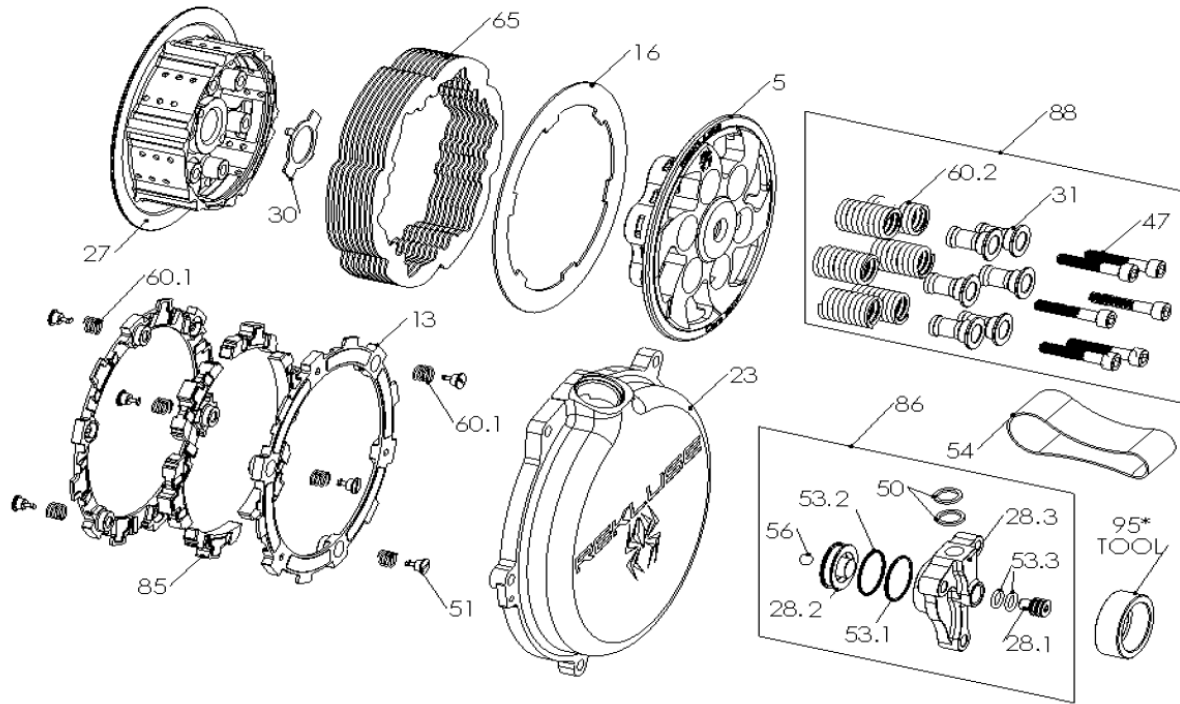


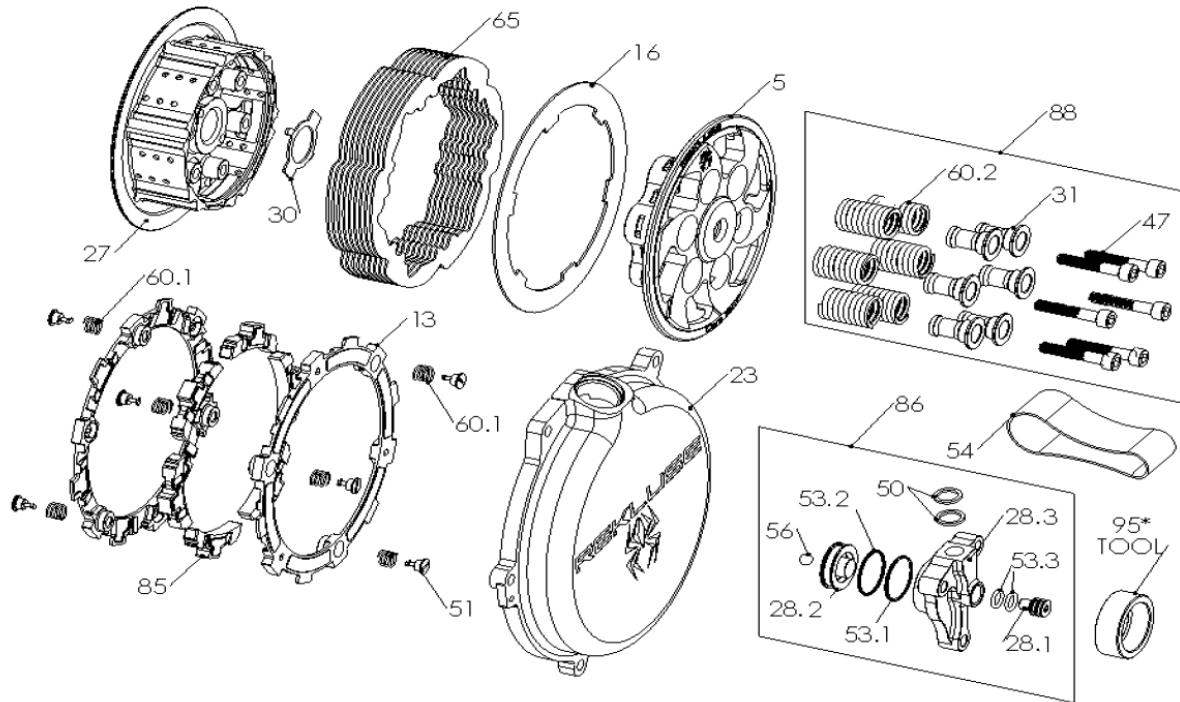
RMS-7781A - CORE EXP CLUTCH 3.0



**Item 95 | 185-100 | Slave cylinder piston installation taper tool (not included with product).
This is needed to rebuild the adjustable slave cylinder and re-insert slave cylinder piston.*

Item	Part Number	Item Description	Qty
5	113-024A	PRESSURE PLATE - CORE EXP 3.0 - KTM250F,350F CSS 16+	1
13	140-215B	EXP 3.0 BASE - KT350	2
16	143-012A	EXP LINING PLATE - KTM	1
23	169-981C	CLUTCH COVER - KTM 250/350 16+	1
27	178-038D	CENTER CLUTCH - CORE EXP/CORE MANUAL - KTM 250F,35	1
30	183-002	HARDWARE - Core Center Clutch Tab Lock Washer 27mm	1
Not Shown	415-000	FASTENER - Quarter Turn Pin	2
51	415-000	FASTENER - Quarter Turn Pin	6
Not Shown	419-120	HARDWARE - 1 Orange Free Play Gain Rubber Band	1
Not Shown	442-001	EXP ADJUSTMENT SPRING EXP - Light (Silver)	3
60.1	442-002	EXP ADJUSTMENT SPRING EXP - Medium (Red)	6
Not Shown	442-003	EXP ADJUSTMENT SPRING EXP - Heavy (Blue)	3
65	462-610A	DRIVE PLATE - 0.048 Wavy - KT 6-pin	7
85	741-016A	EXP 3.0 WEDGE ASSEMBLY - KT350 - Medium	6
86	742-017A	ADJUSTABLE SLAVE CYLINDER ASSEMBLY - KT350 180-122 1	1

RMS-7781A - CORE EXP CLUTCH 3.0



**Item 95 | 185-100 | Slave cylinder piston installation taper tool (not included with product).
This is needed to rebuild the adjustable slave cylinder and re-insert slave cylinder piston.*

Item	Part Number	Item Description	Qty
28.1	180-107	SLAVE CYLINDER ADJUSTER - KTM Adjustable Slave Cylinder	1
28.2	180-113	Adjustable Slave Cylinder Piston -KT350	1
28.3	180-122B	SLAVE CYLINDER HOUSING - KT350 Adjustable Slave Cylinde	1
50	414-238	HARDWARE - 2 x 8mm Crush Washers for use with 419-006	2
53.1	418-804	HARDWARE - 021 EPDM X Ring Black	1
53.2	418-805	HARDWARE - 021 Brown Viton X Ring	1
53.3	418-907	HARDWARE - 011 EPDM O Ring	2
Not Show	419-104	HARDWARE - 15 in L X 1/4OD. X .17ID. Clear Vinyl Tube	1
56	431-304	BALL BEARING - 1/4 Balls - Throwout	1
88	744-080A	CORE CLUTCH SPRING KIT - 250 350 - (6 Olive)	1
31	184-101B	HARDWARE - EXP Screw Sleeve	6
47	411-135	FASTENER - M6 x 40mm Socket Head Cap Screw	6
60.2	442-108	PRESSURE PLATE SPRING - EXP - Suzuki - RMZ250/450 - Oliv	6