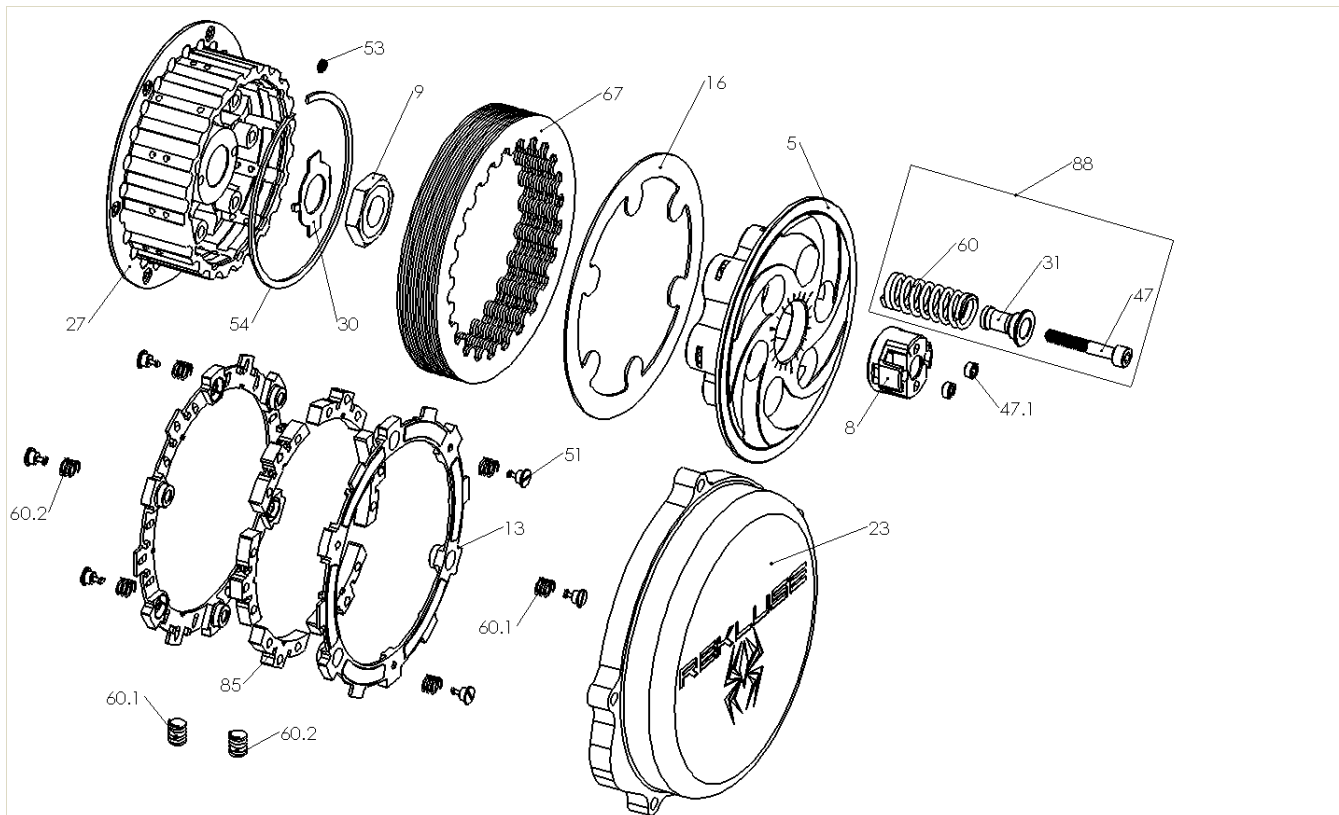


RMS-7737B

CORE EXP CLUTCH 2.0

KTM - 125 EXC (98-07), 125 SX (98-12), 144 SX (07-08), 150 SX (09-12), 150 XC (10-12), 200 EXC (98-05), 200 SX (04-05), 200 XC/200 XC-W (06-12)



Item	Part Number	Item Description	Qty	Assembled as EXP Friction Disk
	791-001	CUSTOMER DOCUMENT - Core EXP Owners Manual	1	
5	113-004	PRESSURE PLATE - EXP 2.0 - 250 Class	1	
8	116-719C	PRESSURE PLATE ADJUSTER - CORE EXP - CRF450X	1	
9	117-002	CENTER CLUTCH NUT - KTM	1	
13	140-203A	EXP 2.0 BASE - H250	2	X
16	143-004	EXP 2.0 LINING PLATE - 250 Class	1	
23	169-937	CLUTCH COVER - KTM 125/150/200	1	
27	178-037	CENTER CLUTCH - CORE EXP/CORE MANUAL - KTM 125/150/200	1	
30	183-001A	HARDWARE - Core 450 Center Clutch Tab Lock Washer	1	
47.1	411-136B	HARDWARE - Pipe Plug: 1/16 – 27 NPTF, 0.15" long, 4010 Annealed, face knurl	2	
51	415-000	FASTENER - Quarter Turn Pin	2	
51	415-000	FASTENER - Quarter Turn Pin	6	X
53	418-802	HARDWARE - Viton70 -006 X-Ring - Anti Squeal Boss Spring	6	

60.1	442-002	EXP ADJUSTMENT SPRING EXP - Medium (Red)	3	
60.1	442-002	EXP ADJUSTMENT SPRING EXP - Medium (Red)	3	X
60.2	442-001	ADJUSTMENT SPRING EXP - Light (Silver)	3	
60.2	442-001	ADJUSTMENT SPRING EXP - Light (Silver)	3	X
67	465-480	DRIVE PLATE - 0.048" Core H250 Precision	7	
85	741-003	EXP 2.0 WEDGE ASSEMBLY - H250 - Heavy	6	X
88	744-060	CORE CLUTCH SPRING KIT - 250 - Super Heavy (5 Red, 5 Green for KTM200)	1	
31	184-101A	HARDWARE - EXP Screw Sleeve	5	
47	411-140	FASTENER - M6-1 x 35mm Thermal Black Socket Cap Screw	5	
60	442-112	PRESSURE PLATE SPRING - EXP - KTM - 200SX/XC - Green	5	
60	442-101	PRESSURE PLATE SPRING - 450 Class Bikes Medium Red (includes 250cc+ 2-strokes)	5	