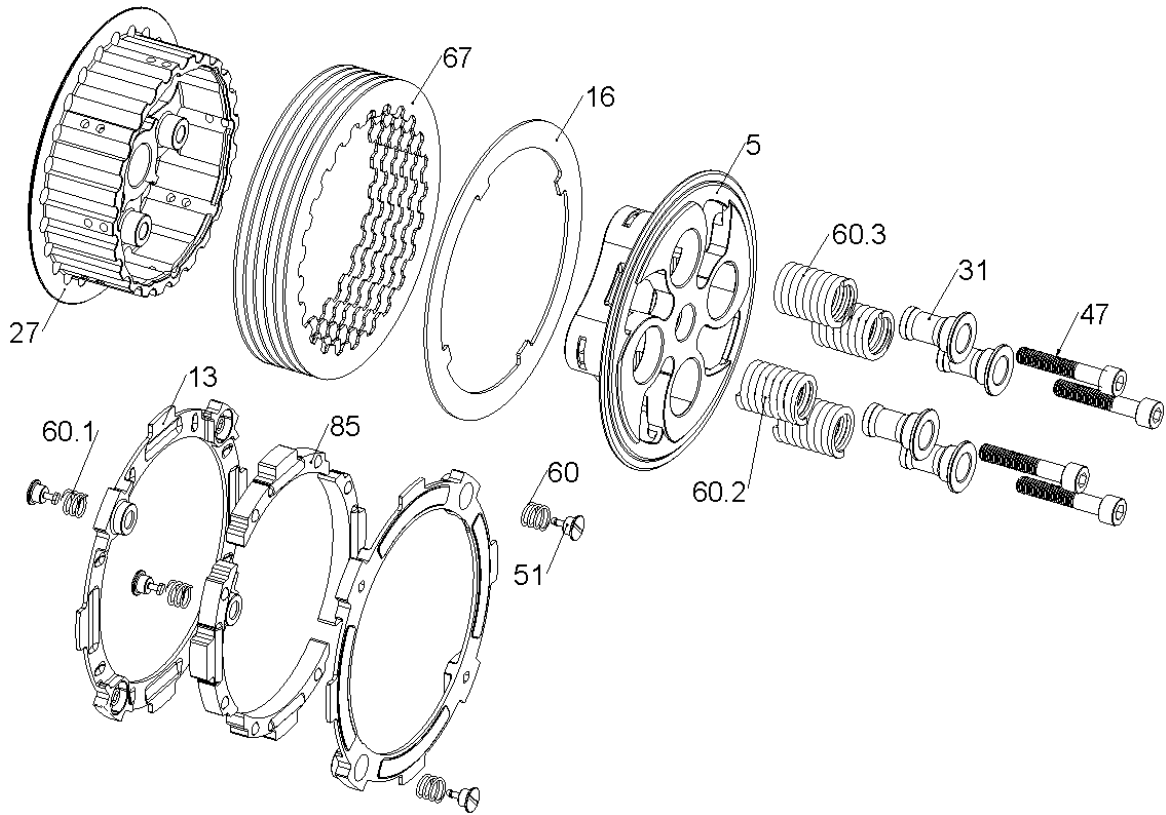
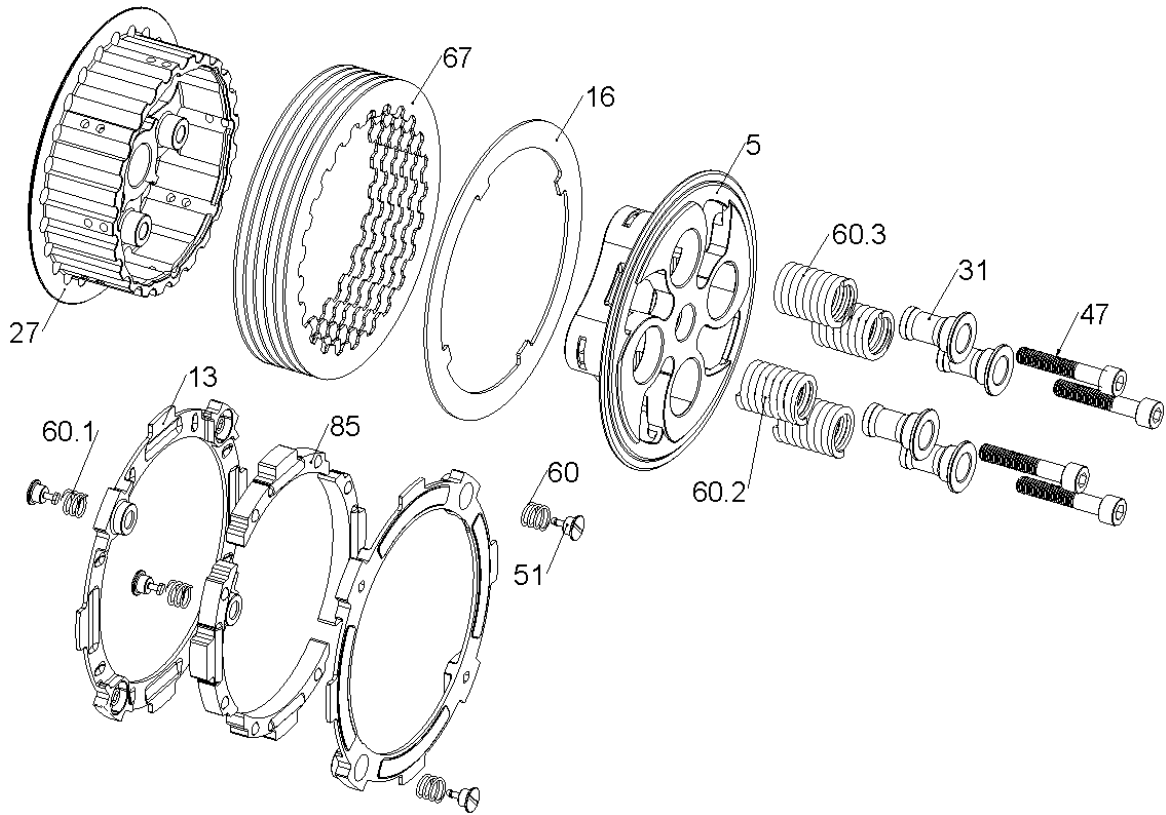


RMS-7718C - CORE EXP 3.0 CLUTCH



Item	Part Number	Item Description	Qty
5	113-017B	PRESSURE PLATE - Core EXP - CRF150R	1
13	140-247A	EXP RP BASE - AG125	2
16	143-014B	LINING PLATE - CRF150R - KX85	1
27	178-020A	Core Center Clutch - CRF150R	1
31	184-101B	HARDWARE - EXP Screw Sleeve	4
47	411-140	FASTENER - M6-1 x 35mm Thermal Black Socket Cap Screw	4
51	415-000	FASTENER - Quarter Turn Pin	4
Not Shown	415-000	FASTENER - Quarter Turn Pin	2
Not Shown	419-121	HARDWARE - 0.5 Black Free Play Gain Rubber Band	1
60	442-001	EXP ADJUSTMENT SPRING EXP - Silver	2
Not Shown	442-001	EXP ADJUSTMENT SPRING EXP - Silver	2
60.1	442-007A	EXP ADJUSTMENT SPRING EXP - 2LB (Steel)	2
Not Shown	442-007A	EXP ADJUSTMENT SPRING EXP - 2LB (Steel)	2
60.2	442-104	PRESSURE PLATE SPRING - 250 Class Bikes Heavy Gold	2
60.3	442-112	PRESSURE PLATE SPRING - EXP - KTM - 200SX/XC - Green	2

RMS-7718C - CORE EXP 3.0 CLUTCH



Item	Part Number	Item Description	Qty
67	465-405B	DRIVE PLATE - 0.040 zSP RMS H150 Precision	6
85	741-050A	WEDGE ASSEMBLY - CRF150 Multiball	4
Not Shown	821-013A	Prop. 65 Warning Label	1