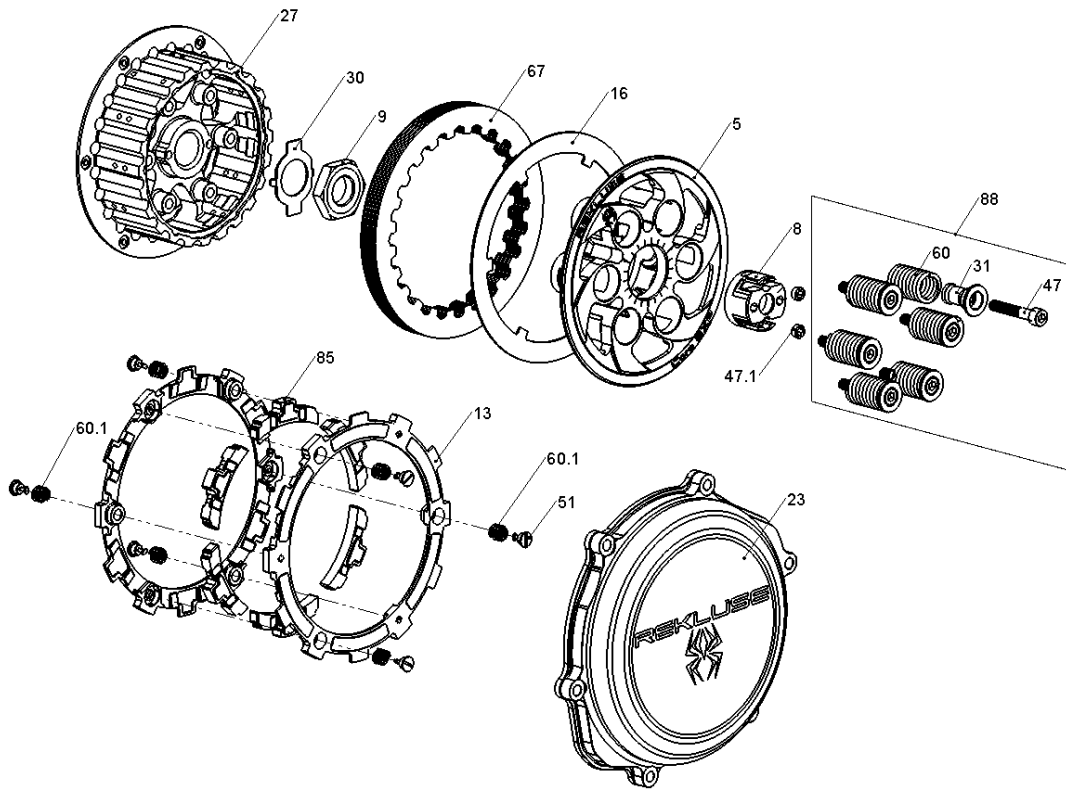
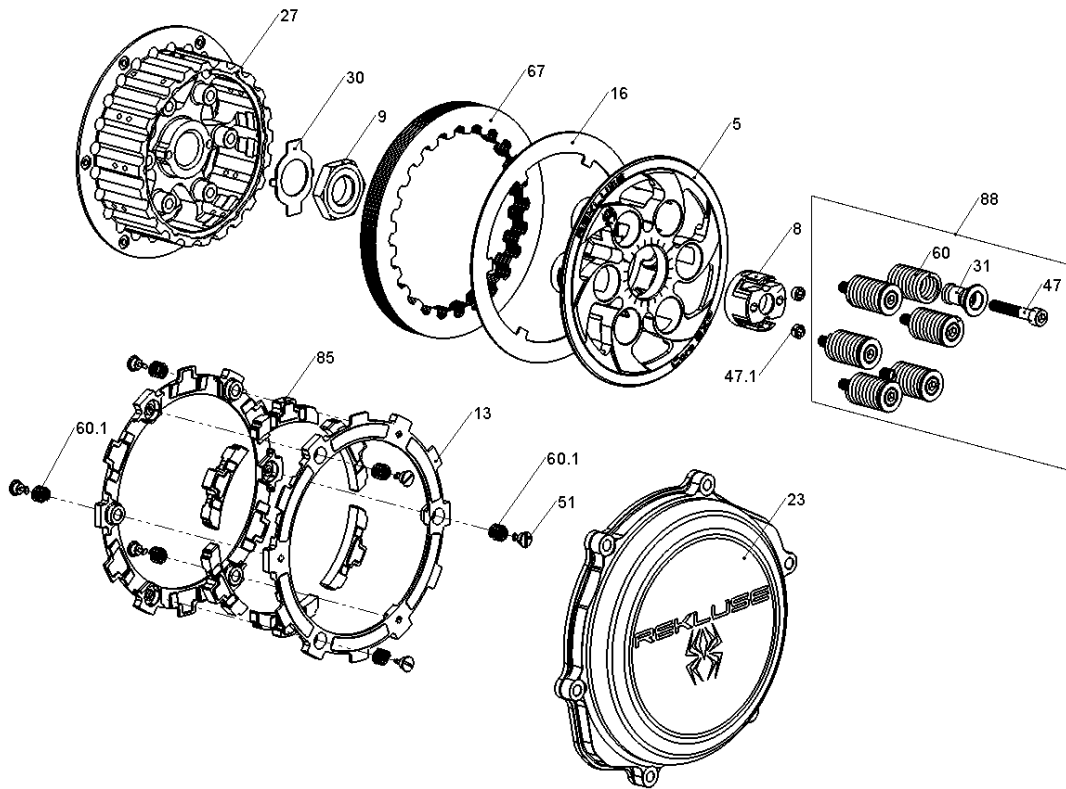


RMS-7716E - CORE EXP 3.0 CLUTCH



Item	Part Number	Item Description	Qty
5	113-014A	PRESSURE PLATE - Core EXP 3.0 - 250 Class	1
8	116-864A	PRESSURE PLATE ADJUSTER - CORE EXP - S450	1
9	117-001	CENTER CLUTCH NUT - H450	1
13	140-213B	EXP 3.0 BASE - H250	2
16	143-018A	LINING PLATE - 250 Class EXP 3.0	1
23	169-916C	CLUTCH COVER - H250	1
27	178-028C	CENTER CLUTCH - CORE EXP/CORE MANUAL - H250	1
30	183-001A	HARDWARE - Core 450 Center Clutch Tab Lock Washer	1
47.1	411-161A	HARDWARE - 1/16 in NPTF Steel Socket Head Pipe Plug 7/8 i	2
Not Shown	415-000	FASTENER - Quarter Turn Pin	2
51	415-000	FASTENER - Quarter Turn Pin	6
Not Shown	418-301B	HARDWARE - Clutch Cover O-Ring Cord-Viton - 25in long	1
Not Shown	419-121	HARDWARE - 0.5 Black Free Play Gain Rubber Band	1
Not Shown	442-001	EXP ADJUSTMENT SPRING EXP - Light (Silver)	3
60.1	442-002	EXP ADJUSTMENT SPRING EXP - Medium (Red)	6

RMS-7716E - CORE EXP 3.0 CLUTCH



Item	Part Number	Item Description	Qty
Not Shown	442-003	EXP ADJUSTMENT SPRING EXP - Heavy (Blue)	3
67	465-480B	DRIVE PLATE - 0.048 Core H250 Precision	8
85	741-014B	EXP 3.0 WEDGE ASSEMBLY - H250 - Medium	6
88	744-040	CORE CLUTCH SPRING KIT - 250 - Heavy (Gold)	1
31	184-101B	HARDWARE - EXP Screw Sleeve	5
47	411-140	FASTENER - M6-1 x 35mm Thermal Black Socket Cap Screw	5
60	442-104	PRESSURE PLATE SPRING - 250 Class Bikes Heavy Gold	5