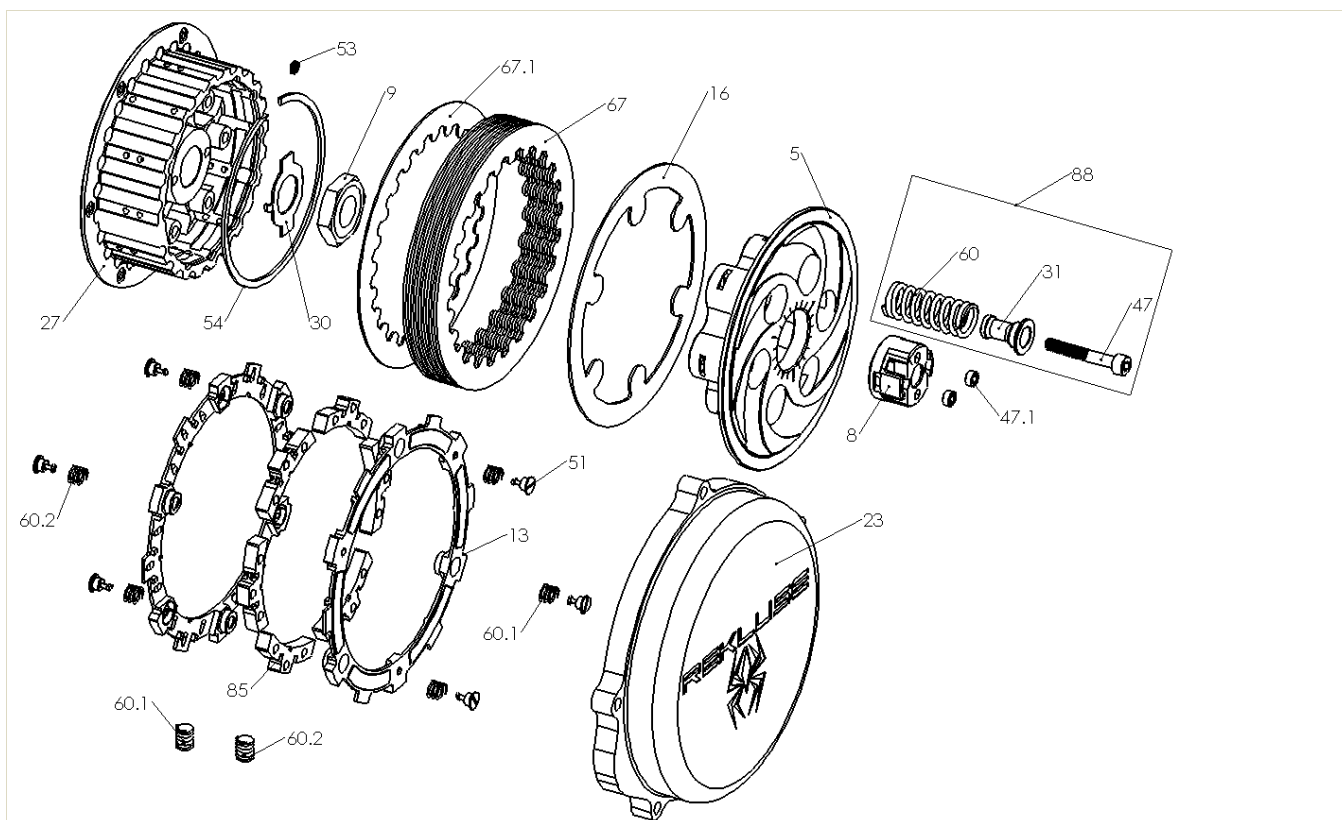


Honda - CRF450R (09-12)



Item	Part Number	Item Description	Qty	Assembled as EXP Friction Disk
Not Shown	418-300	Clutch Cover O-Ring Cord - 22"	1	
	791-001	Core EXP Owners Manual	1	
5	113-005	Pressure Plate EXP 2.0 450 Class	1	
8	116-713C	CRF450R EXP PP Adjuster	1	
9	117-001	H450 Center Clutch Nut	1	
13	140-200A	H450 EXP 2.0 BASE	2	X
16	143-003	Lining Plate H450 KTM350 EXP 2.0	1	
23	169-914C	Honda 2009 CRF450R Clutch Cover	1	
27	178-027A	09 CRF450R Core Center Clutch	1	
30	183-001A	Core 450 Center Clutch Tab Lock Washer	1	
47.1	411-136B	Pipe Plug: 1/16 – 27 NPTF, 0.15" long, 4010 Annealed, face knurl	2	
51	415-000	Quarter Turn Pin	2	
51	415-000	Quarter Turn Pin	6	X
53	418-802	Viton70 -006 X-Ring - Anti Squeal Boss Spring	6	

60.1	442-002	Medium EXP Adj. Spring - Red	3	
60.1	442-002	Medium EXP Adj. Spring - Red	3	X
60.2	442-003	Heavy EXP Adj. Spring - Blue	3	
60.2	442-003	Heavy EXP Adj. Spring - Blue	3	X
67	465-601A	0.060 zSP RMS H450 Precision Drive Plate Rev. A	7	
67.1	465-401A	0.040 zSP RMS H450 Precision Drive Plate Rev. A	1	
85	741-002B	H450 EXP 2.0 Medium Wedge Assembly	6	X
88	744-010	450 Core Clutch Spring Kit - Medium (Red)	1	
31	184-101A	EXP Screw Sleeve	6	
47	411-135	M6 x 40mm Socket Head Cap Screw	6	
60	442-101	Medium 450 Core Clutch Spring - Red	6	