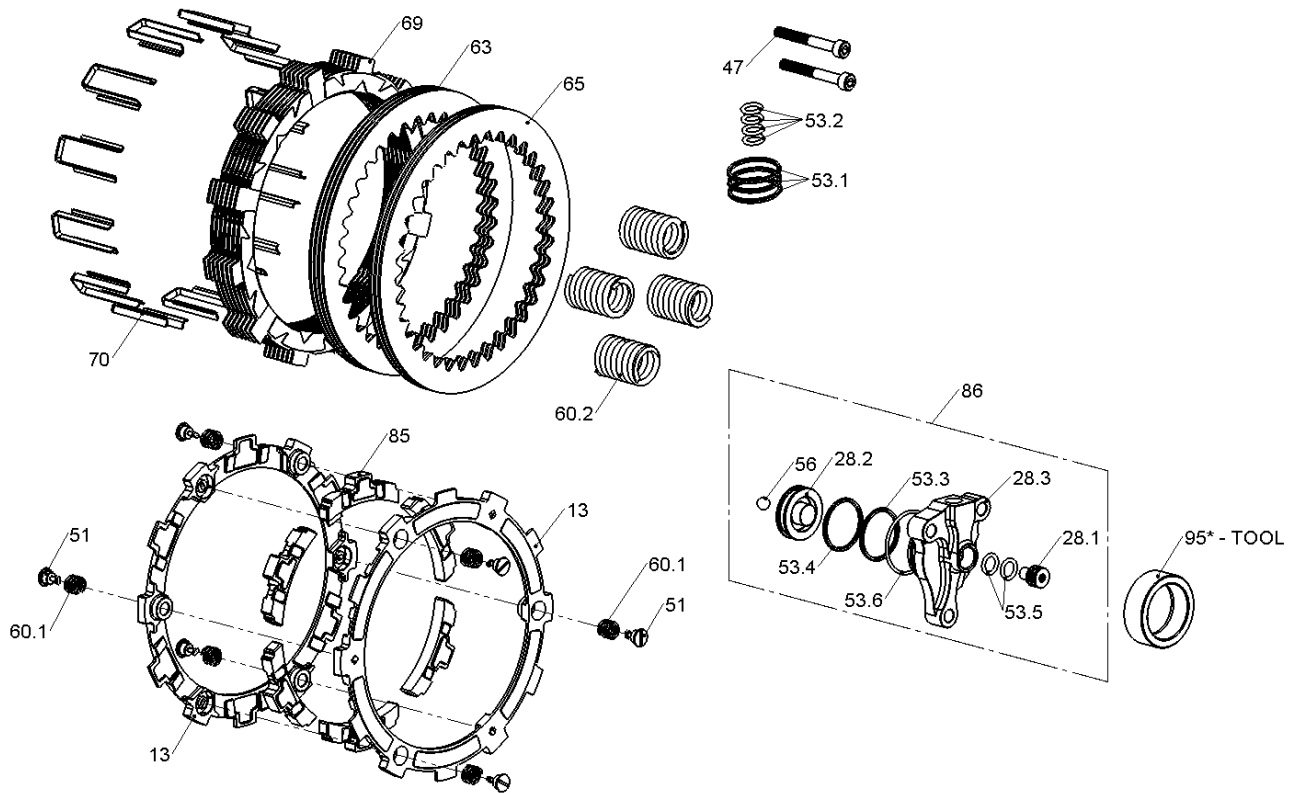
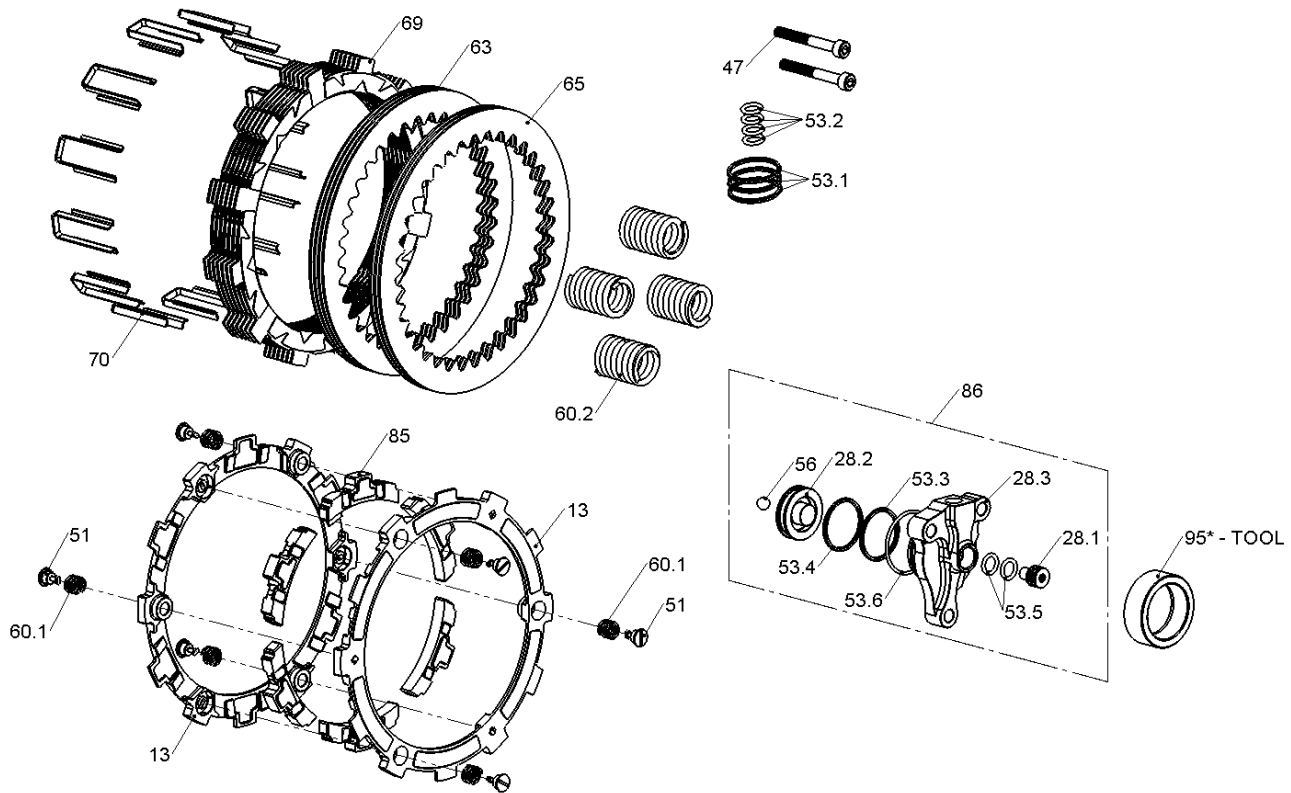


RMS-6385B - ADVENTURE-BIKE EXP CLUTCH KIT



Item	Part Number	Item Description	Qty
13	140-222B	EXP 3.0 BASE - S450 TD	2
95	185-100	Taper Tool for Slave Cylinder Piston Install	1
47	411-160A	FASTENER - M5 x 0.8 x 40 Socket Head Screw (4mm Allen)	2
51	415-000	FASTENER - Quarter Turn Pin	6
Not Shown	415-000	FASTENER - Quarter Turn Pin	2
53.1	418-805	HARDWARE - 021 Brown Viton X Ring	3
53.2	418-908	HARDWARE - Brown Viton Fluoroelastomer O-Ring AS568A	4
Not Shown	419-120	HARDWARE - 1 Orange Free Play Gain Rubber Band	1
Not Shown	419-712A	HARDWARE-Velcro Strap 1in X 8in	2
Not Shown	442-002	EXP ADJUSTMENT SPRING EXP - Medium (Red)	3
60.1	442-003	EXP ADJUSTMENT SPRING EXP - Heavy (Blue)	6
Not Shown	442-004	EXP ADJUSTMENT SPRING EXP - Super Heavy (Gold)	3
60.2	442-116A	PRESSURE PLATE SPRING - KTM, Husq LC4 - White	4
63	460-615B	DRIVE PLATE - 0.040 KTM 690	4
65	462-615B	DRIVE PLATE - 0.048 KTM 690	3

RMS-6385B - ADVENTURE-BIKE EXP CLUTCH KIT



Item	Part Number	Item Description	Qty
69	469-203	FRICITION DISC - S450 TORQ-DRIVE	7
70	471-304A	BASKET SLEEVE - KTM 690	12
Not Shown	491-003A	ADHESIVE - Silicone Grease Packet	1
85	741-011A	EXP 3.0 WEDGE ASSEMBLY - H450 - Heavy	6
86	742-021A	ADJUSTABLE SLAVE ASSEMBLY - Magura, Brake Fluid 180-12	1
28.1	180-107	SLAVE CYLINDER ADJUSTER - KTM Adjustable Slave Cylinder	1
28.2	180-108	SLAVE CYLINDER PISTON - KTM Adjustable Slave Cylinder Pis	1
28.3	180-120A	Adjustable Slave Cylinder Housing - Magura	1
53.3	418-804	HARDWARE - 021 EPDM X Ring Black	1
53.4	418-805	HARDWARE - 021 Brown Viton X Ring	1
53.5	418-907	HARDWARE - 011 EPDM O Ring	2
53.6	418-915A	HARDWARE - BUNA O-ring, size 30mmID x 1.5mmW, Black	1
Not Show	419-104	HARDWARE - 15 in L X 1/4OD. X .17ID. Clear Vinyl Tube	1
56	431-304	BALL BEARING - 1/4 Balls - Throwout	1