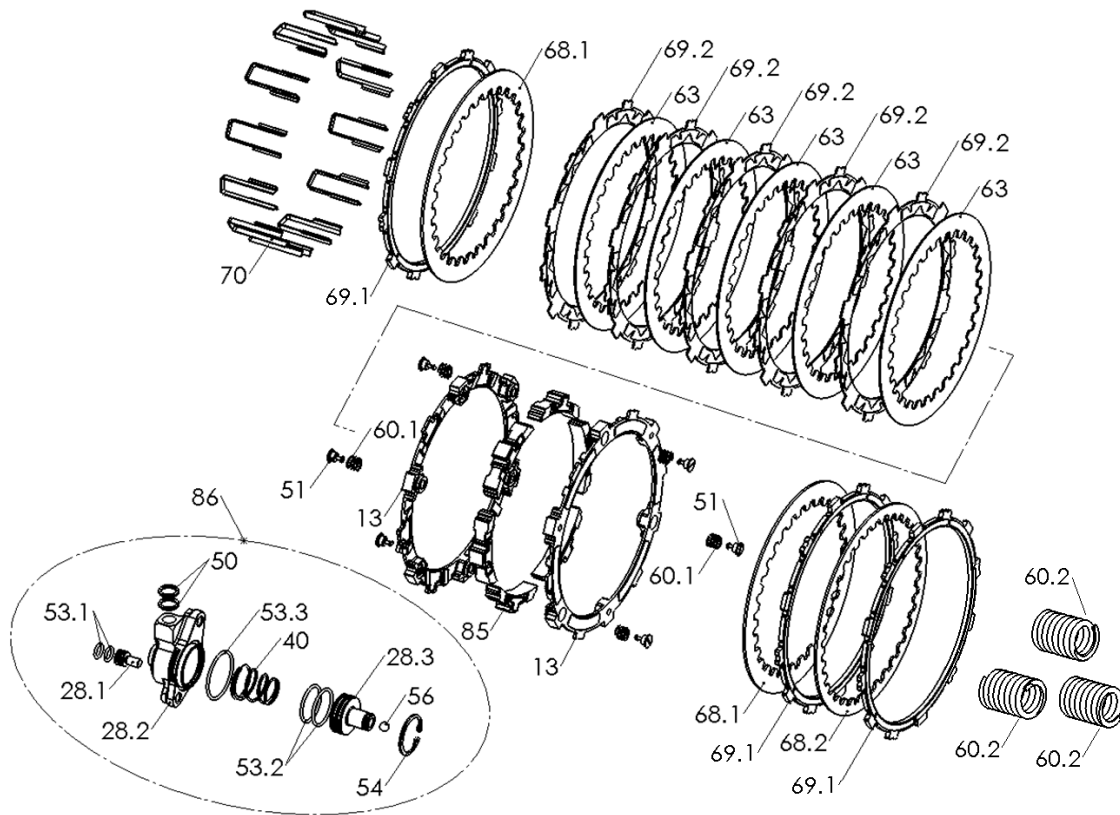
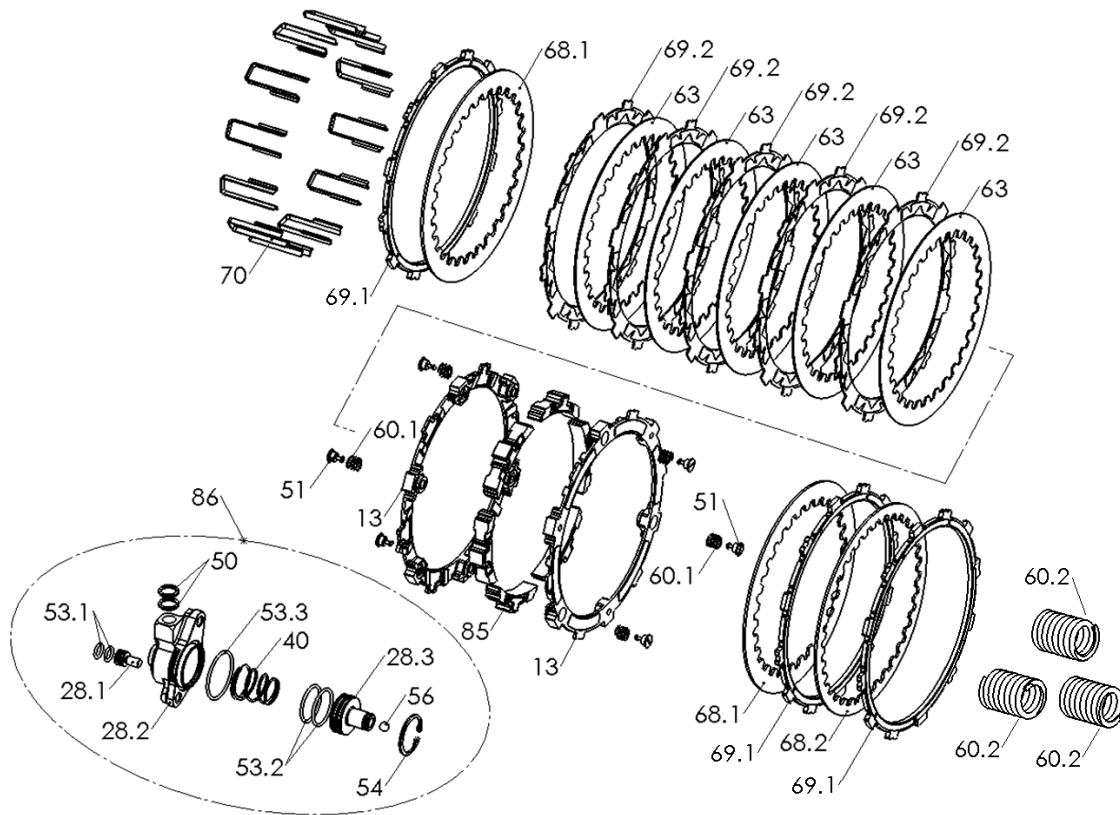


# RMS-6382C - ADVENTURE-BIKE EXP CLUTCH KIT



Item	Part Number	Item Description	Qty
13	140-216C	EXP 3.0 BASE - HD Big Twin	2
Not Shown	415-000	FASTENER - Quarter Turn Pin	2
51	415-000	FASTENER - Quarter Turn Pin	6
Not Shown	419-120	HARDWARE - 1 Orange Free Play Gain Rubber Band	1
Not Shown	419-712A	HARDWARE-Velcro Strap 1in X 8in	2
Not Shown	442-004	EXP ADJUSTMENT SPRING EXP - Super Heavy (Gold)	3
60.1	442-005B	EXP ADJUSTMENT SPRING EXP - 14LB (Green) Hot Formed	6
Not Shown	442-006A	EXP ADJUSTMENT SPRING EXP - 17LB (White)	6
60.2	442-115A	PRESSURE PLATE SPRING - KTM LC8 Assist and Slipper - Purp	3
63	460-601C	DRIVE PLATE - 0.040in BT CVO, 1190	5
68.1	466-601A	DRIVE PLATE - 0.065in BT CVO, 1190	2
68.2	466-602B	DRIVE PLATE - 0.065in BT Top CVO, 1190 (indexes to pressur	1
69.1	469-216A	FRICITION DISC - LC8 / CVO Narrow Friction Disk	3
69.2	469-230A	FRICITION DISK - HD Thin Friction Disk - 2-Segment Pads	5
70	471-301	BASKET SLEEVE - 98+ Harley Big Twin Basket Sleeve	12

# RMS-6382C - ADVENTURE-BIKE EXP CLUTCH KIT



Item	Part Number	Item Description	Qty
85	741-018C	EXP 3.0 WEDGE ASSEMBLY - H-D Heavy	6
86	742-024A	ADJUSTABLE SLAVE CYLINDER ASSEMBLY - KTM 1050,1190,	1
28.1	180-124A	SLAVE CYLINDER ADJUSTER - 17mm	1
28.2	180-127A	SLAVE CYLINDER HOUSING - Adjustable Slave Cylinder Housi	1
28.3	180-128A	SLAVE CYLINDER PISTON - KTM 1050,1190,1290 LC8	1
50	414-230	HARDWARE - Crush Washers: 10mm	2
53.1	418-908	HARDWARE - Brown Viton Fluoroelastomer O-Ring AS568A	2
53.2	418-912A	HARDWARE - Viton O-ring, size-021, Brown	2
53.3	418-916A	HARDWARE - BUNA O-ring, size 30mmID x 2.0mmW, Black	1
54	419-024A	HARDWARE - Internal Snap Ring - 1.0625in	1
56	431-304	BALL BEARING - 1/4 Balls - Throwout	1
40	440-002	SPRING - LC8 Adjustable Slave Cylinder Spring	1
Not Shown	790-001	HARDWARE - Brake Kit 60cc syringe and tube assembly	1