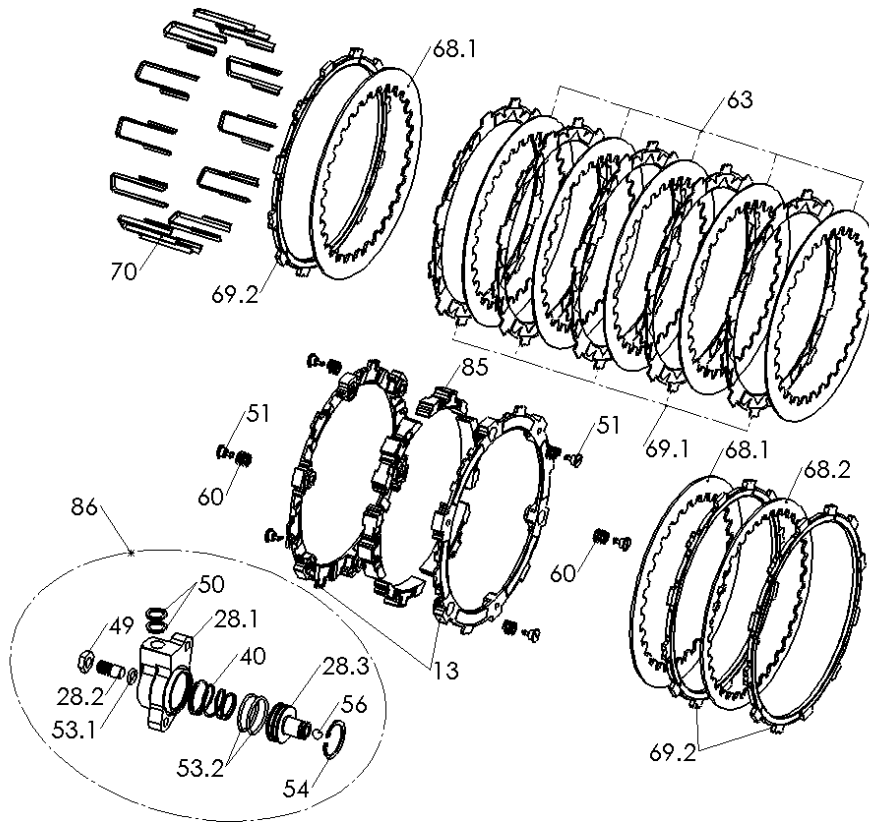


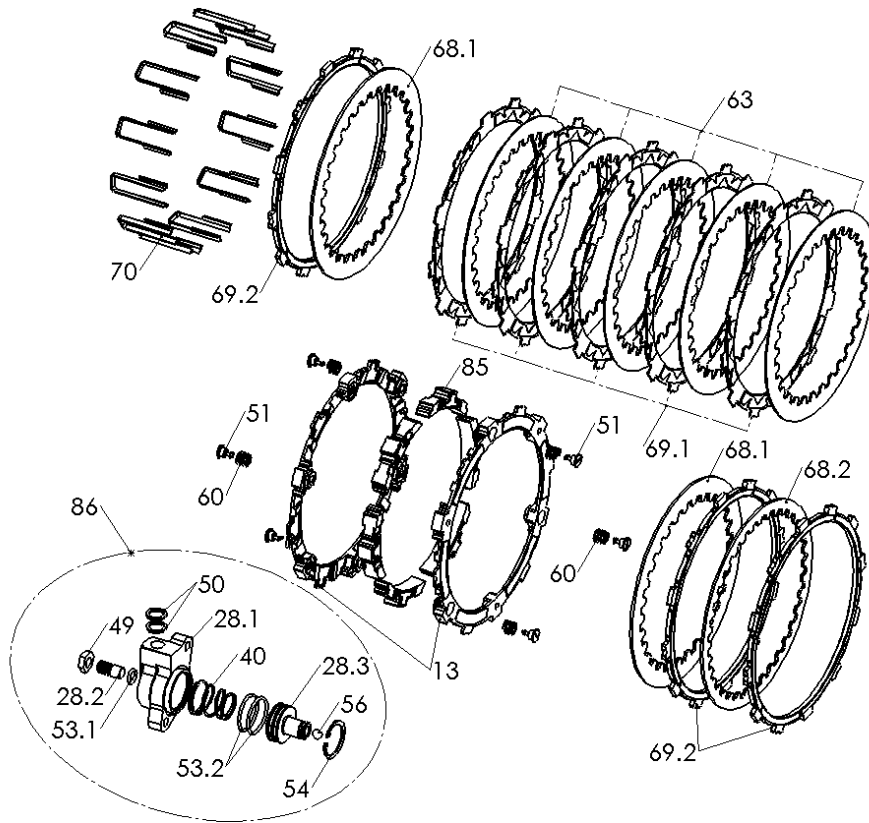
# RMS-6382A - ADVENTURE-BIKE EXP CLUTCH KIT



*\*Item 95 | 185-100 | Slave cylinder piston installation taper tool (not included with product).  
This is needed to rebuild the adjustable slave cylinder and re-insert slave cylinder piston.*

Item	Part Number	Item Description	Qty
13	140-216C	EXP 3.0 BASE - HD Big Twin	2
Not Shown	415-000	FASTENER - Quarter Turn Pin	2
51	415-000	FASTENER - Quarter Turn Pin	6
Not Shown	419-120	HARDWARE - 1 Orange Free Play Gain Rubber Band	1
Not Shown	419-712A	HARDWARE-Velcro Strap 1in X 8in	2
Not Shown	442-004	EXP ADJUSTMENT SPRING EXP - Super Heavy (Gold)	3
60	442-005B	EXP ADJUSTMENT SPRING EXP - 14LB (Green)	6
Not Shown	442-006A	EXP ADJUSTMENT SPRING EXP - 17LB (White)	3
63	460-601C	DRIVE PLATE - 0.040in BT CVO, 1190	5
68.1	466-601A	DRIVE PLATE - 0.065in BT CVO, 1190	2
68.2	466-602B	DRIVE PLATE - 0.065in BT Top CVO, 1190 (indexes to pressur	1
69.1	469-200	FRICITION DISK - BT Thin Friction Disk	5
69.2	469-209B	FRICITION DISK - BT Narrow Friction Disk	3
70	471-301	BASKET SLEEVE - 98+ Harley Big Twin Basket Sleeve	12
85	741-018B	EXP 3.0 WEDGE ASSEMBLY - H-D Heavy	6

# RMS-6382A - ADVENTURE-BIKE EXP CLUTCH KIT



*\*Item 95 | 185-100 | Slave cylinder piston installation taper tool (not included with product). This is needed to rebuild the adjustable slave cylinder and re-insert slave cylinder piston.*

Item	Part Number	Item Description	Qty
86	742-014B	ADJUSTABLE SLAVE CYLINDER ASSEMBLY - KTM 1190 Adven	1
28.1	180-104	SLAVE CYLINDER HOUSING - Adjustable Slave Cylinder Housi	1
28.2	180-105	SLAVE CYLINDER ADJUSTER - Adjustable Slave Cylinder Adjus	1
28.3	180-121A	SLAVE CYLINDER PISTON - Adjustable Slave Cylinder Piston -	1
49	413-001	FASTENER - M8 x 1.25 Jam Nut	1
50	414-230	HARDWARE - Crush Washers: 10mm	2
53.1	418-908	HARDWARE - Brown Viton Fluoroelastomer O-Ring AS568A	1
53.2	418-912A	HARDWARE - Viton O-ring, size-021, Brown	2
54	419-023	HARDWARE - LC8 Adjustable Slave Cylinder Snap Ring	1
56	431-304	BALL BEARING - 1/4 Balls - Throwout	1
40	440-002	SPRING - LC8 Adjustable Slave Cylinder Spring	1
Not Shown	790-001	HARDWARE - Brake Kit 60cc syringe and tube assembly	1