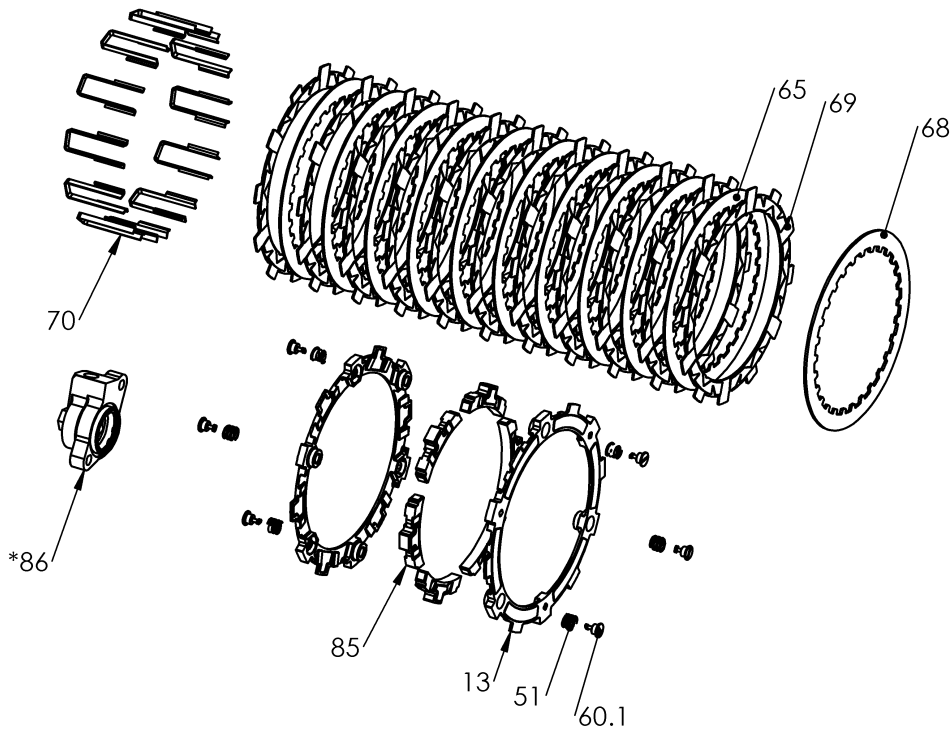


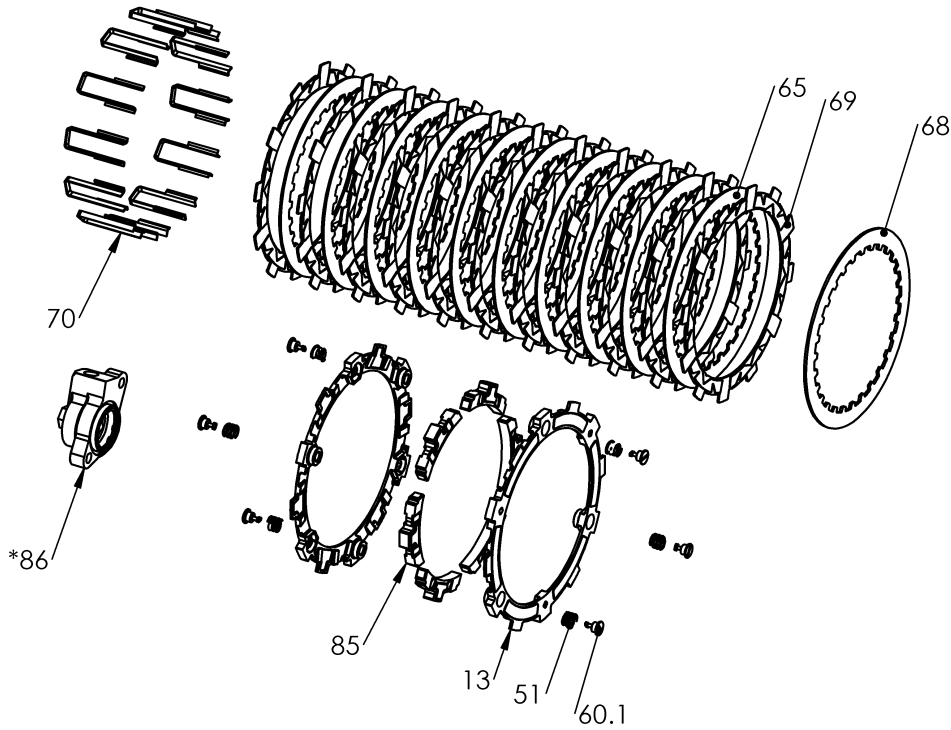
# RMS-6381B - RADIUS X CLUTCH



*\*SLAVE CYLINDER ASSEMBLY FICHE CAN BE VIEWED SEPARATELY.  
REBUILD KIT ALSO AVAILABLE SEPERATELY FROM REKLUSE.*

Item	Part Number	Item Description	Qty
13	140-224B	EXP 3.0 BASE - K250 TD	2
Not Shown	415-000	FASTENER - Quarter Turn Pin	2
51	415-000	FASTENER - Quarter Turn Pin	6
Not Shown	419-120	HARDWARE - 1 Orange Free Play Gain Rubber Band	1
Not Shown	419-712A	HARDWARE-Velcro Strap 1in X 8in	2
Not Shown	442-001	EXP ADJUSTMENT SPRING EXP - Light (Silver)	3
60.1	442-002	EXP ADJUSTMENT SPRING EXP - Medium (Red)	6
Not Shown	442-003	EXP ADJUSTMENT SPRING EXP - Heavy (Blue)	3
65	462-031A	DRIVE PLATE - 0.048 KT990	11
68	466-031A	DRIVE PLATE - 0.060 KT990	1
69	469-205	FRICTION DISC - K250 TORQ-DRIVE	11
70	471-300	BASKET SLEEVE - Dirt Bikes	12
85	741-013B	EXP 3.0 WEDGE ASSEMBLY - H250 - Heavy	6
86	742-025A	ADJUSTABLE SLAVE CYLINDER ASSEMBLY - KTM 950,990 LC8	1
28.1	180-124A	SLAVE CYLINDER ADJUSTER - Screw, M6x10.5mm	1

# RMS-6381B - RADIUS X CLUTCH



*\*SLAVE CYLINDER ASSEMBLY FICHE CAN BE VIEWED SEPARATELY.  
REBUILD KIT ALSO AVAILABLE SEPERATELY FROM REKLUSE.*

Item	Part Number	Item Description	Qty
28.2	180-127A	SLAVE CYLINDER HOUSING - Adjustable Slave Cylinder Housi	1
28.3	180-129A	SLAVE CYLINDER PISTON - KTM 950,990 LC8	1
50	414-230	HARDWARE - Crush Washers: 10mm	2
53.1	418-908	HARDWARE - Brown Viton Fluoroelastomer O-Ring AS568A	2
53.2	418-912A	HARDWARE - Viton O-ring, size-021, Brown	2
53.3	418-916A	HARDWARE - BUNA O-ring, size 30mmID x 2.0mmW, Black	1
54	419-024A	HARDWARE - Internal Snap Ring - 1.0625in	1
56	431-304	BALL BEARING - 1/4in Chrome Steel Ball	1
40	440-002	SPRING - LC8 Adjustable Slave Cylinder Spring	1
Not Shown	790-001	HARDWARE - Brake Kit 60cc syringe and tube assembly	1
Not Shown	821-010B	WARNING LABEL - Clutch Lever Decal	1