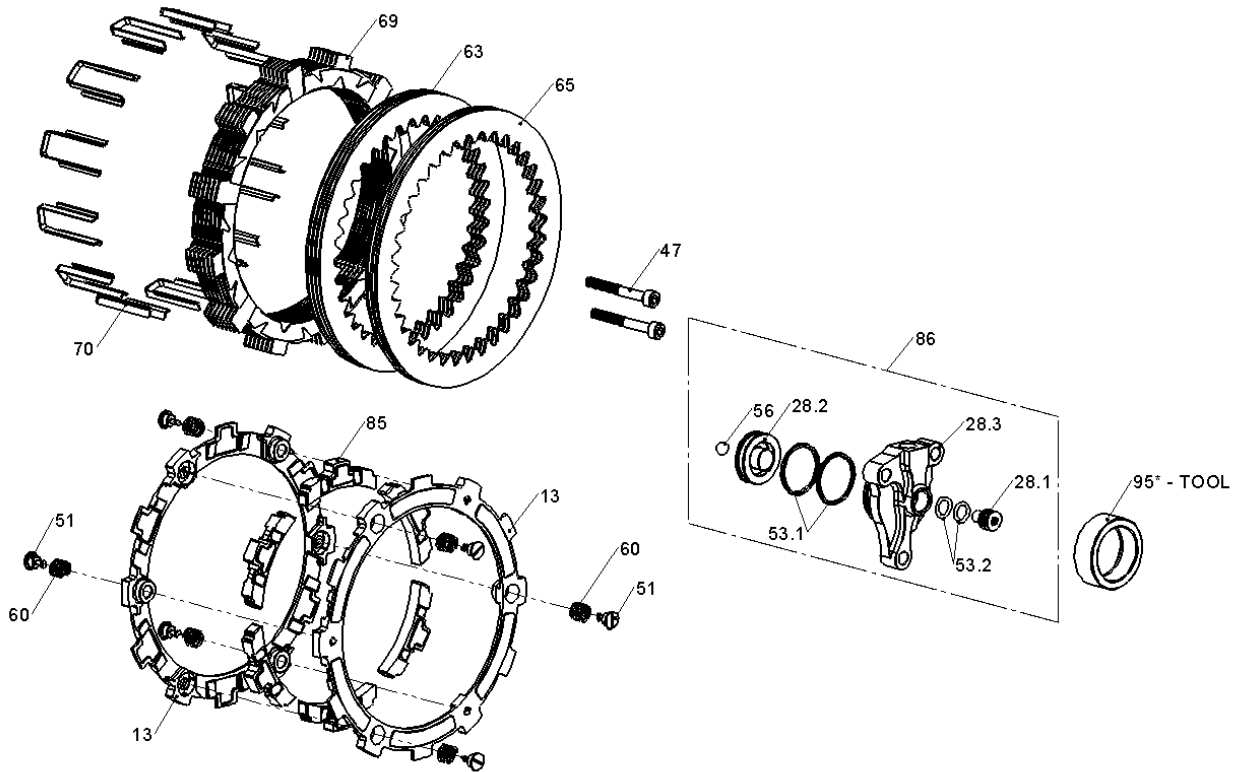


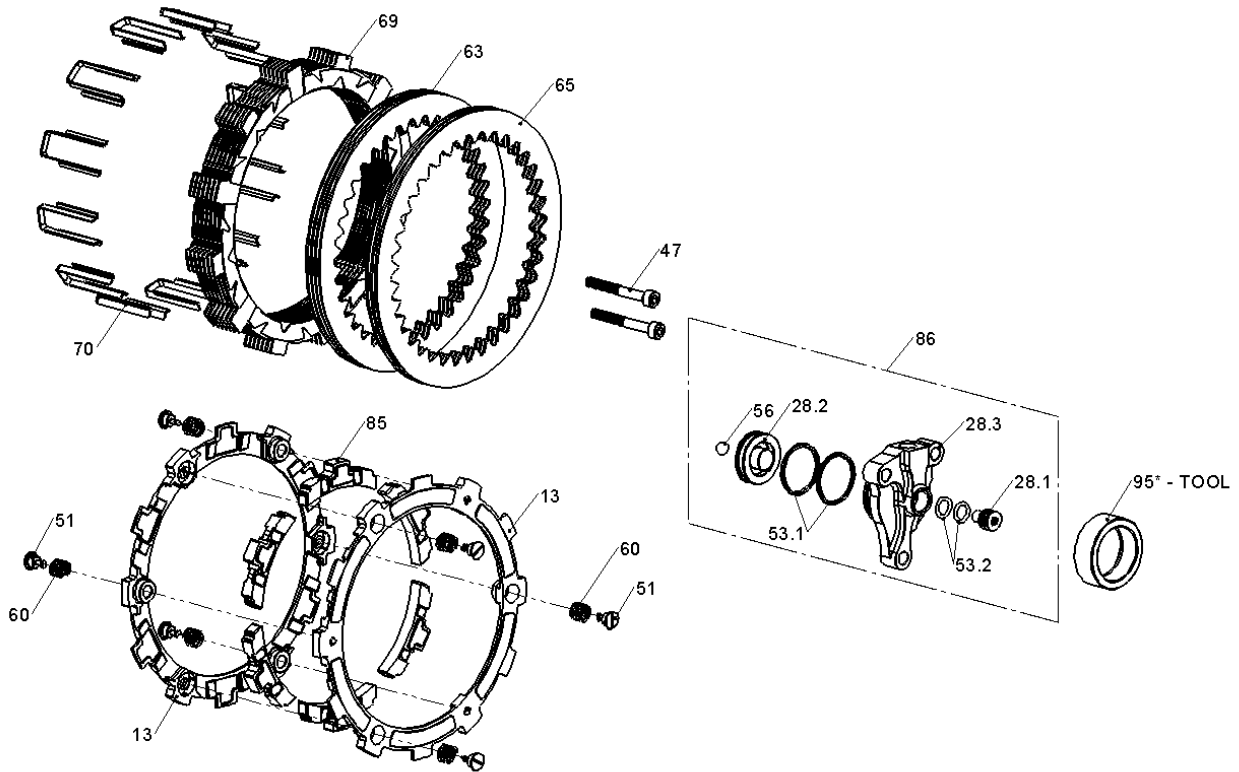
RMS-6380C - ADVENTURE-BIKE EXP CLUTCH KIT



**Item 95 | 185-100 | Slave cylinder piston installation taper tool (not included with product).
This is needed to rebuild the adjustable slave cylinder and re-insert slave cylinder piston.*

Item	Part Number	Item Description	Qty
13	140-222B	EXP 3.0 BASE - S450 TD	2
47	411-160A	FASTENER - M5 x 0.8 x 40 Socket Head Screw (4mm Allen)	2
51	415-000	FASTENER - Quarter Turn Pin	6
Not Shown	415-000	FASTENER - Quarter Turn Pin	2
Not Shown	419-120	HARDWARE - 1 Orange Free Play Gain Rubber Band	1
Not Shown	419-712A	HARDWARE-Velcro Strap 1in X 8in	2
Not Shown	442-002	EXP ADJUSTMENT SPRING EXP - Medium (Red)	3
60	442-003	EXP ADJUSTMENT SPRING EXP - Heavy (Blue)	6
Not Shown	442-004	EXP ADJUSTMENT SPRING EXP - Super Heavy (Gold)	3
63	460-615B	DRIVE PLATE - 0.040 KTM 690	4
65	462-615B	DRIVE PLATE - 0.048 KTM 690	3
69	469-203	FRICITION DISC - S450 TORQ-DRIVE	7
70	471-304A	BASKET SLEEVE - KTM 690	12
85	741-011A	EXP 3.0 WEDGE ASSEMBLY - H450 - Heavy	6
86	742-019A	ADJUSTABLE SLAVE ASSEMBLY - Magura, Oil 180-120 180-1	1

RMS-6380C - ADVENTURE-BIKE EXP CLUTCH KIT



**Item 95 | 185-100 | Slave cylinder piston installation taper tool (not included with product).
This is needed to rebuild the adjustable slave cylinder and re-insert slave cylinder piston.*

Item	Part Number	Item Description	Qty
28.1	180-107	SLAVE CYLINDER ADJUSTER - KTM Adjustable Slave Cylinder	1
28.2	180-108	SLAVE CYLINDER PISTON - KTM Adjustable Slave Cylinder Pis	1
28.3	180-120A	Adjustable Slave Cylinder Housing - Magura	1
53.1	418-805	HARDWARE - 021 Brown Viton X Ring	2
53.2	418-908	HARDWARE - Brown Viton Fluoroelastomer O-Ring AS568A	2
Not Shown	419-104	HARDWARE - 15 in L X 1/4OD. X .17ID. Clear Vinyl Tube	1
56	431-304	BALL BEARING - 1/4 Balls - Throwout	1