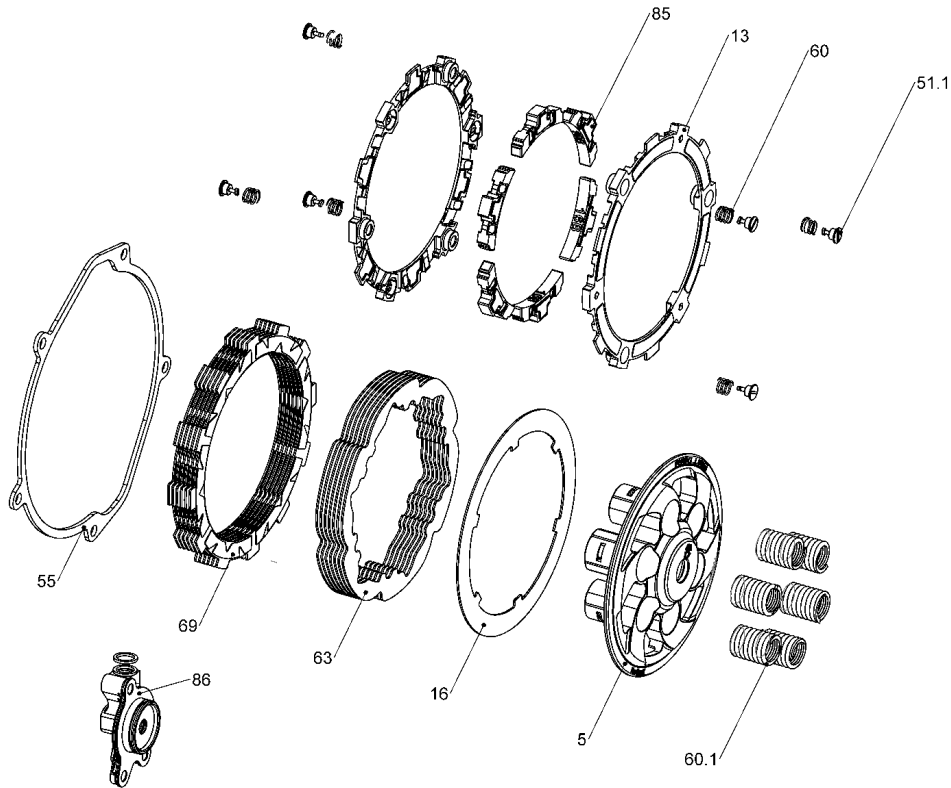


# RMS-6313081A - RADIUSX CLUTCH



*\*SLAVE CYLINDER ASSEMBLY FICHE CAN BE VIEWED SEPARATELY.  
REBUILD KIT ALSO AVAILABLE SEPERATELY FROM REKLUSE.*

Item	Part Number	Item Description	Qty
5	113-085A	PRESSURE PLATE - RADIUSX - KTM 250,350 SX-F	1
13	140-215D	EXP 3.0 BASE - KT350	2
16	143-025A	RADIUS X LINING PLATE - KTM	1
Not Shown	415-000	FASTENER - Quarter Turn Pin	2
51	415-000	FASTENER - Quarter Turn Pin	6
Not Shown	419-120	HARDWARE - 1 Orange Free Play Gain Rubber Band	1
55	420-085A	GASKET - KT250/350 17+	1
Not Shown	442-001	EXP ADJUSTMENT SPRING EXP - Silver	3
Not Shown	442-002	EXP ADJUSTMENT SPRING EXP - Red	6
60	442-003	EXP ADJUSTMENT SPRING EXP - Blue	3
60.1	442-112	PRESSURE PLATE SPRING - EXP - KTM - 200SX/XC - Green	6
63	460-710A	DRIVE PLATE - 0.040 TEC 2 - KT 6-pin	7
69	469-536A	FRICTION DISK - KT350 TORQ-DRIVE - 2-Segment Pads	6
85	741-015B	EXP 3.0 WEDGE ASSEMBLY - KT350 - Heavy	6
86	742-028E	ADJUSTABLE SLAVE CYLINDER ASSEMBLY - Housing-122, Pist	1