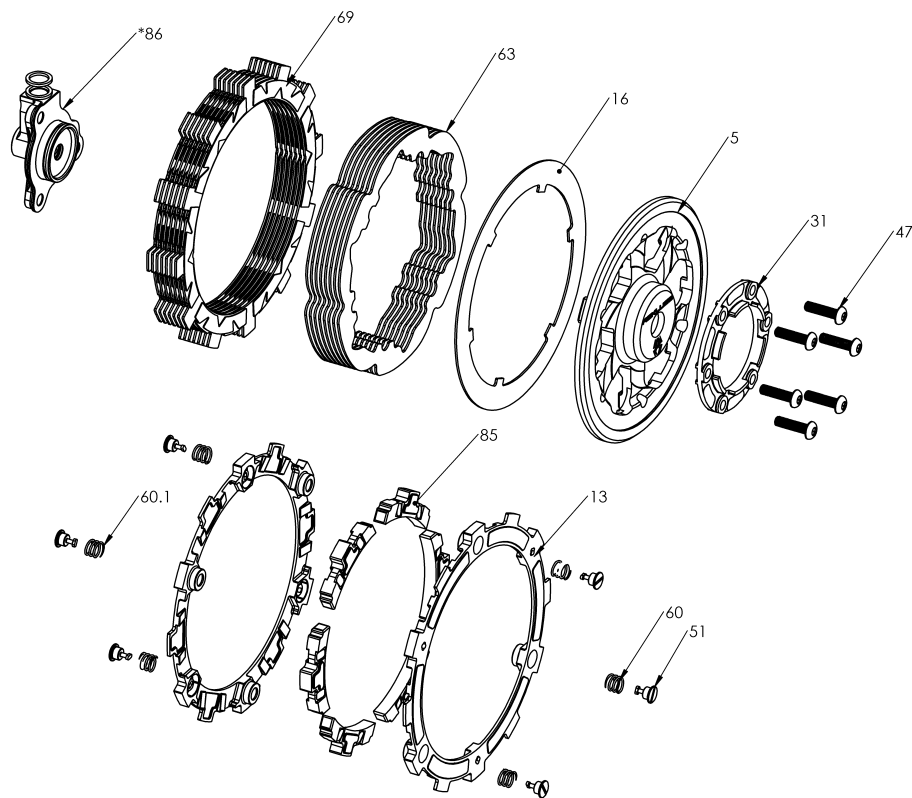


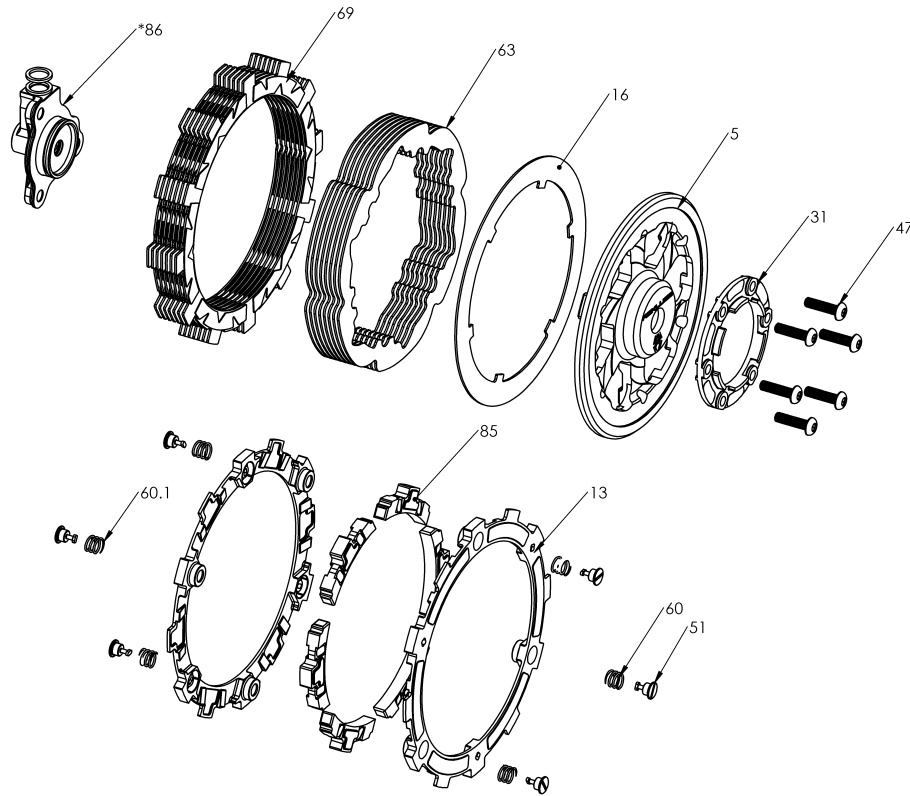
## RMS-6313035D - RADIUSX CLUTCH (DDS)



*\*SLAVE CYLINDER ASSEMBLY FICHE CAN BE VIEWED SEPARATELY.  
REBUILD KIT ALSO AVAILABLE SEPERATELY FROM REKLUSE.*

Item	Part Number	Item Description	Qty
5	113-012C	PRESSURE PLATE - EXP - KTM DDS Clutch 12-15	1
13	140-215D	EXP 3.0 BASE - KT350	2
16	143-025A	RADIUS X LINING PLATE - KTM	1
31	184-015B	PRESSURE RING SPACER - Pressure Ring Spacer for KTM 12+	1
47	411-154A	FASTENER - M5 x 20 Button-Head T-25 Torx Screw 10.9	6
Not Shown	411-906	HARDWARE - T-25 Torx Bit	1
51	415-000	FASTENER - Quarter Turn Pin	6
Not Shown	415-000	FASTENER - Quarter Turn Pin	2
Not Shown	419-120	HARDWARE - 1 Orange Free Play Gain Rubber Band	1
Not Shown	419-300A	HARDWARE - Thread Insert - 8 x 1.0 - 8mm Length	1
Not Shown	442-001	EXP ADJUSTMENT SPRING EXP - Silver	3
60	442-001	EXP ADJUSTMENT SPRING EXP - Silver	3
60.1	442-002	EXP ADJUSTMENT SPRING EXP - Red	3
Not Shown	442-002	EXP ADJUSTMENT SPRING EXP - Red	3
63	460-710A	DRIVE PLATE - 0.040 TEC 2 - KT 6-pin	8

# RMS-6313035D - RADIUSX CLUTCH (DDS)



*\*SLAVE CYLINDER ASSEMBLY FICHE CAN BE VIEWED SEPARATELY.  
REBUILD KIT ALSO AVAILABLE SEPERATELY FROM REKLUSE.*

Item	Part Number	Item Description	Qty
69	469-336A	FRICITION DISK - KT350 TORQ-DRIVE - 2-Segment Pads	7
85	741-015B	EXP 3.0 WEDGE ASSEMBLY - KT350 - Heavy	6
86	742-003E	ADJUSTABLE SLAVE CYLINDER ASSEMBLY - Housing-101, Pist	1
Not Shown	821-013A	Prop. 65 Warning Label	1