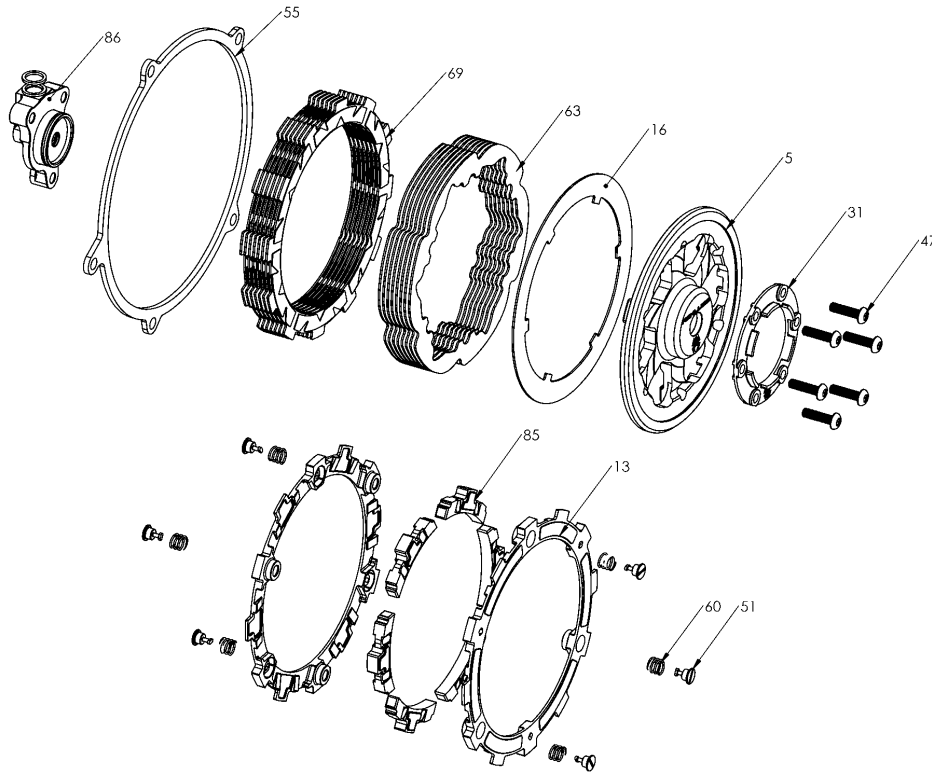


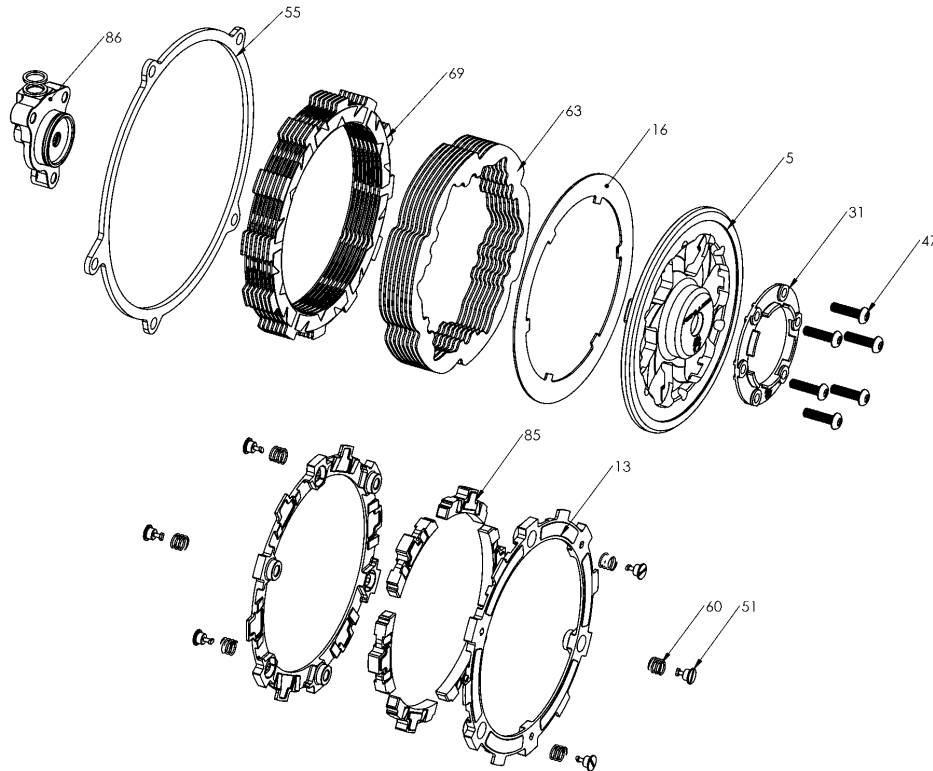
RMS-6313034B - Radius X Clutch (DDS)



**SLAVE CYLINDER ASSEMBLY FICHE CAN BE VIEWED SEPARATELY.
REBUILD KIT ALSO AVAILABLE SEPERATELY FROM REKLUSE.*

Item	Part Number	Item Description	Qty
5	113-012B	PRESSURE PLATE - EXP - KTM DDS Clutch 12-15	1
13	140-215B	EXP 3.0 BASE - KT350	2
16	143-025A	RADIUS X LINING PLATE - KTM	1
31	184-015A	PRESSURE RING SPACER - Pressure Ring Spacer for KTM 12+	1
47	411-154A	FASTENER - M5 x 20 Button-Head T-25 Torx Screw 10.9	6
Not Shown	411-906	HARDWARE - T-25 Torx Bit	1
Not Shown	415-000	FASTENER - Quarter Turn Pin	2
51	415-000	FASTENER - Quarter Turn Pin	6
Not Shown	419-120	HARDWARE - 1 Orange Free Play Gain Rubber Band	1
55	420-034	GASKET - KT450/500 12 GASKET .125	1
60	442-003	EXP ADJUSTMENT SPRING EXP - Heavy (Blue)	3
Not Shown	442-003	EXP ADJUSTMENT SPRING EXP - Heavy (Blue)	3
Not Shown	442-004	EXP ADJUSTMENT SPRING EXP - Super Heavy (Gold)	3
Not Shown	442-004	EXP ADJUSTMENT SPRING EXP - Super Heavy (Gold)	3
63	460-610B	DRIVE PLATE - 0.040 Wavy - KT 6-pin	8

RMS-6313034B - Radius X Clutch (DDS)



**SLAVE CYLINDER ASSEMBLY FICHE CAN BE VIEWED SEPARATELY.
REBUILD KIT ALSO AVAILABLE SEPERATELY FROM REKLUSE.*

Item	Part Number	Item Description	Qty
69	469-236A	FRICITION DISK - KT350 TORQ-DRIVE - 2-Segment Pads	7
85	741-015B	EXP 3.0 WEDGE ASSEMBLY - KT350 - Heavy	6
86	742-002D	ADJUSTABLE SLAVE CYLINDER ASSEMBLY - Housing-100, Pist	1
28	180-100A	SLAVE CYLINDER HOUSING-KT250-KT300 2 Stroke Adjustabl	1
28.1	180-107	SLAVE CYLINDER ADJUSTER - Screw, M6x7mm	1
28.2	180-208A	SLAVE CYLINDER PISTON - DIV 1.5	1
50	414-230	HARDWARE - Crush Washers: 10mm	2
53.1	418-804	HARDWARE - 021 EPDM X Ring Black	1
53.2	418-907	HARDWARE - 011 EPDM O-ring	2
53.3	418-915A	HARDWARE - BUNA O-ring, size 30mmID x 1.5mmW, Black	1
53.4	418-917A	HARDWARE - 1.5x24mm Viton O-ring, 75Dur	1
Not Shown	419-104	HARDWARE - 15 in L X 1/4OD. X .17ID. Clear Vinyl Tube	1
55.1	420-301A	GASKET - Slave Cylinder - Mag,Form - fits 180-100,-112,-119,	1
56	431-304	BALL BEARING - 1/4in Chrome Steel Ball	1