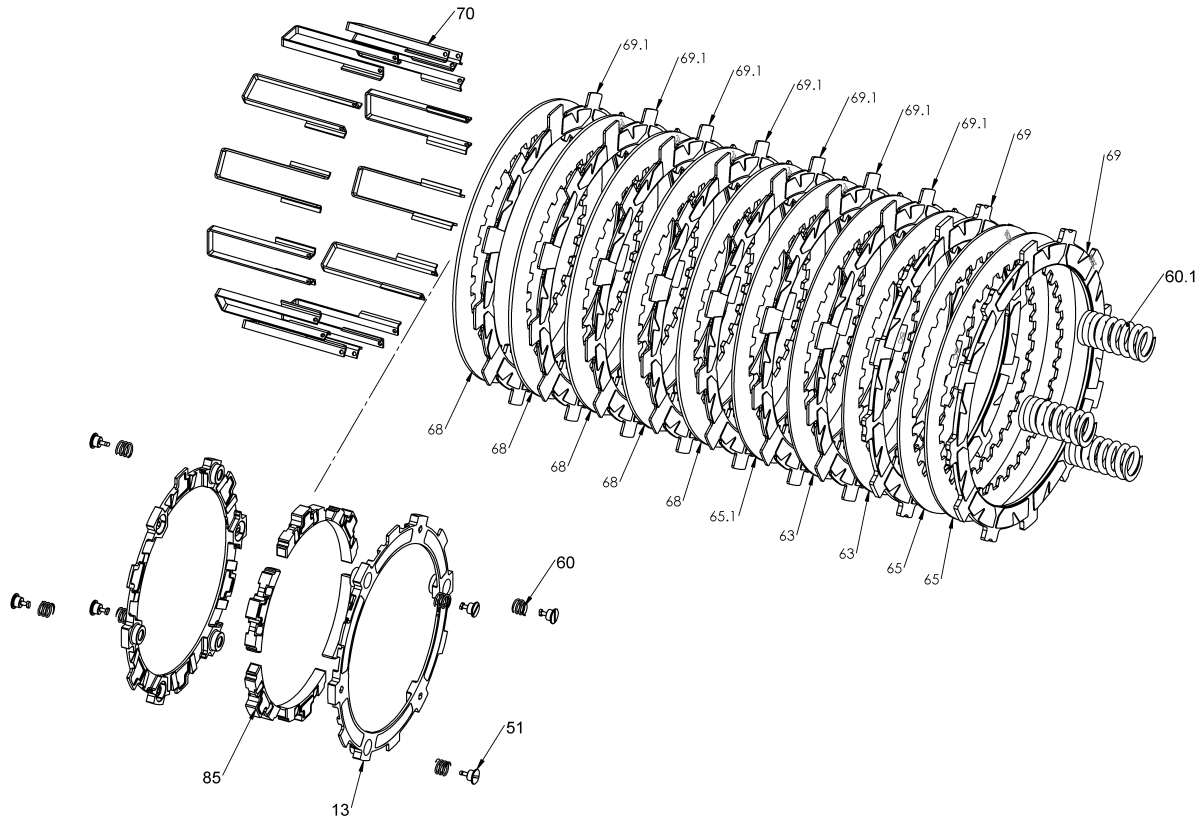
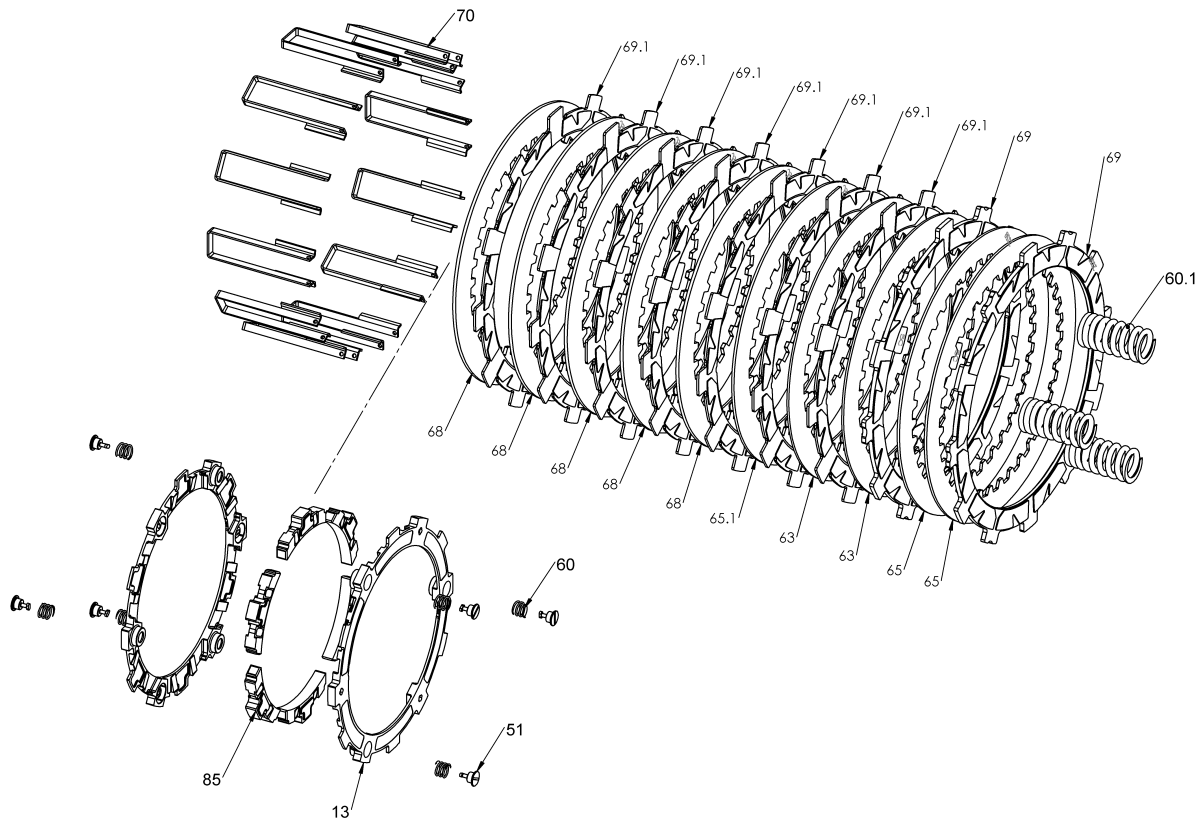


RMS-6309009A - RADIUSX CLUTCH



Item	Part Number	Item Description	Qty
13	140-224C	EXP 3.0 BASE - K250 TD	2
51	415-000	FASTENER - Quarter Turn Pin	6
Not Shown	415-000	FASTENER - Quarter Turn Pin	2
Not Shown	419-120	HARDWARE - 1 Orange Free Play Gain Rubber Band	1
54	419-711A	HARDWARE - Velcro Strap 1in X 12in	2
Not Shown	420-282A	GASKET - CLUTCH COVER - BMW 750/850	1
60	442-001	EXP ADJUSTMENT SPRING EXP - Silver	6
Not Shown	442-002	EXP ADJUSTMENT SPRING EXP - Red	3
Not Shown	442-007A	EXP ADJUSTMENT SPRING EXP - 2LB (Steel)	3
60.1	442-133A	PRESSURE PLATE SPRING -BLUE-GREEN- .628OD, .1WD, 1.71	3
63	460-634A	DRIVE PLATE - .040 - RMZ 250 OEM	2
65	462-618B	DRIVE PLATE - .048in 36T - BMW S1000	2
65.1	462-634A	DRIVE PLATE - 0.048 - RMZ 250 OEM	1
68	466-634A	DRIVE PLATE - .060 RMZ250/KX250F	5
69	469-322B	FRICITION DISK - K250 - Thick .110in 2.79mm	2

RMS-6309009A - RADIUSX CLUTCH



Item	Part Number	Item Description	Qty
69.1	469-535A	FRICITION DISK - K250 TORQ-DRIVE - 2-Segment Pads	7
70	471-301	BASKET SLEEVE - H2.08 - 4S	12
85	741-014B	EXP 3.0 WEDGE ASSEMBLY - H250 - Medium	6
Not Shown	821-010B	WARNING LABEL - Clutch Lever Decal	1
Not Shown	821-013A	Prop. 65 Warning Label	1