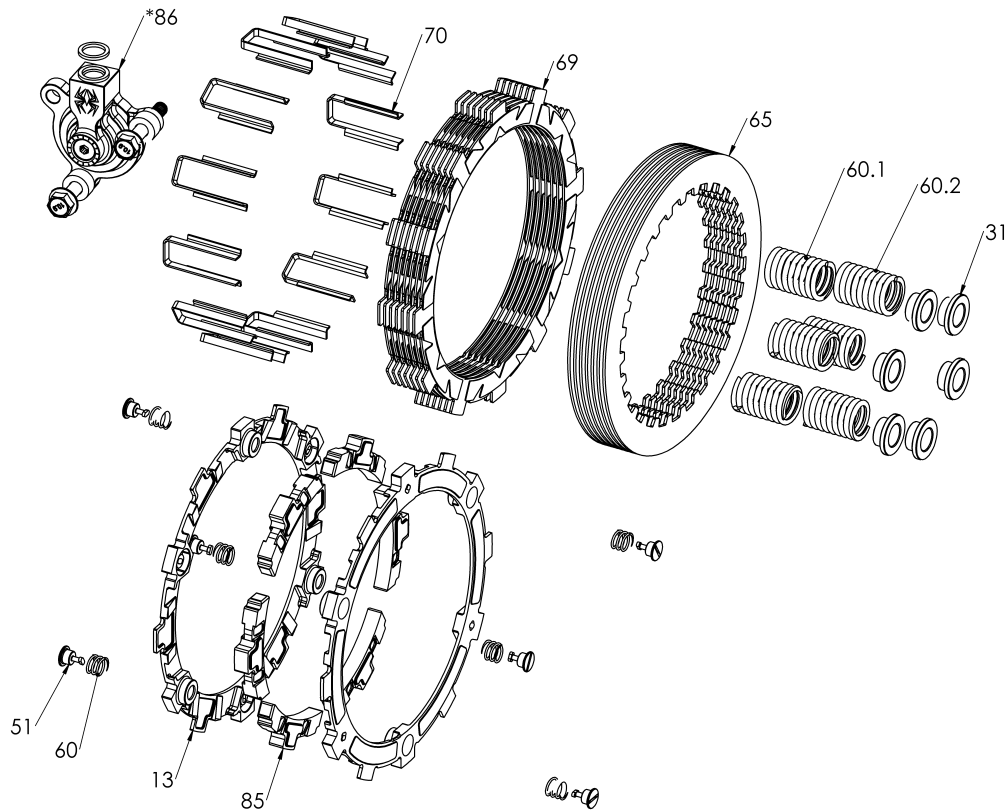


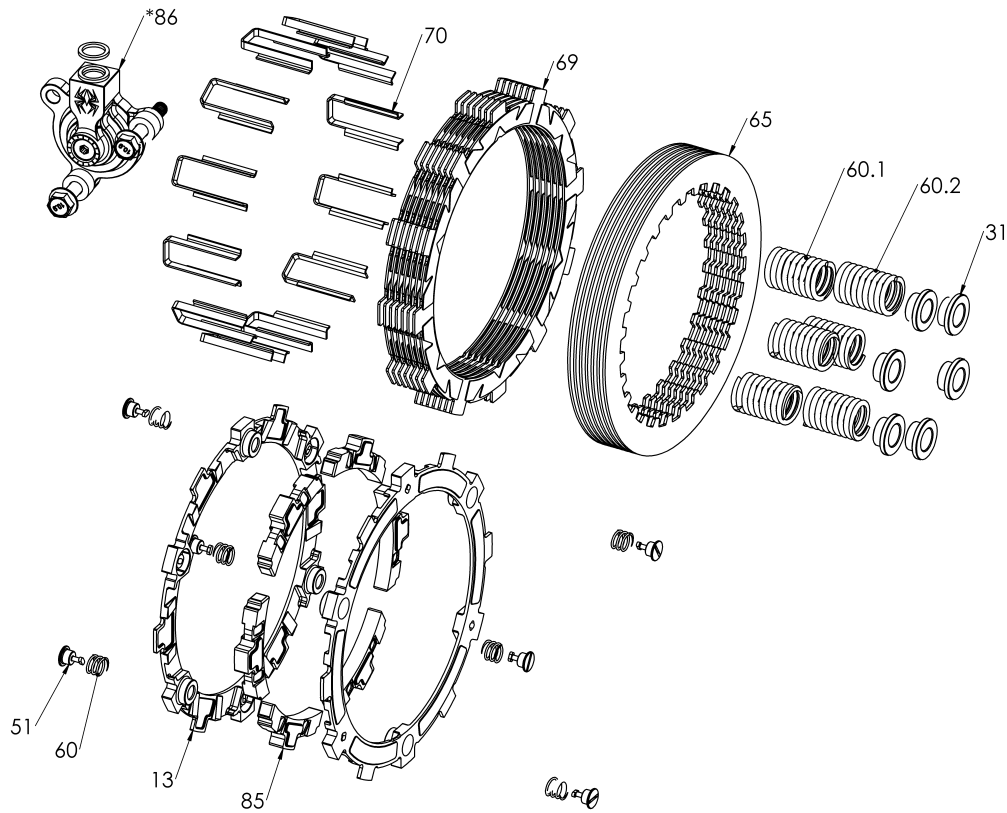
RMS-6308001A - RADIUSX CLUTCH



**SLAVE CYLINDER ASSEMBLY FICHE CAN BE VIEWED SEPARATELY.
REBUILD KIT ALSO AVAILABLE SEPERATELY FROM REKLUSE.*

Item	Part Number	Item Description	Qty
13	140-220C	EXP 3.0 BASE - H450 TD	2
31	184-102A	HARDWARE - YXZ1000 Screw Sleeve	6
Not Shown	415-000	FASTENER - Quarter Turn Pin	2
51	415-000	FASTENER - Quarter Turn Pin	6
Not Shown	419-120	HARDWARE - 1 Orange Free Play Gain Rubber Band	1
Not Shown	442-001	EXP ADJUSTMENT SPRING EXP - Silver	3
60	442-002	EXP ADJUSTMENT SPRING EXP - Red	6
Not Shown	442-003	EXP ADJUSTMENT SPRING EXP - Blue	3
60.1	442-108	PRESSURE PLATE SPRING - EXP - Suzuki - RMZ250/450 - Oliv	3
60.2	442-111	PRESSURE PLATE SPRING - EXP - Honda - 10+ CRF250 - Steel	3
65	462-636A	DRIVE PLATE - 0.048 Honda CRF450 OEM	7
69	469-331A	FRICTION DISK - H450 TORQ-DRIVE - 2-Segment Pads	7
70	471-304B	BASKET SLEEVE - H1.45 - 4S	12
85	741-012B	EXP 3.0 WEDGE ASSEMBLY - H450 - Medium	6
86	742-037A	ADJUSTABLE SLAVE CYLINDER SHERCO 2 STROKE	1

RMS-6308001A - RADIUSX CLUTCH



**SLAVE CYLINDER ASSEMBLY FICHE CAN BE VIEWED SEPARATELY.
REBUILD KIT ALSO AVAILABLE SEPERATELY FROM REKLUSE.*

Item	Part Number	Item Description	Qty
28	180-107	SLAVE CYLINDER ADJUSTER - Screw, M6x7mm	1
28.1	180-135A	Adjustable Slave Cylinder Housing - Sherco 2 Stroke	1
28.2	180-310A	SLAVE CYLINDER PISTON - DIV 1.5 WS	1
47	411-117A	FASTENER - M-6 x 35 Flanged Socket Head Screw	2
Not Show	414-230	HARDWARE - Crush Washers: 10mm	2
50	414-801A	HARDWARE - 1/2 Bushing - .258ID .500OD	2
53	418-804	HARDWARE - 021 EPDM X Ring Black	1
53.1	418-907	HARDWARE - 011 EPDM O-ring	2
53.2	418-917A	HARDWARE - 1.5x24mm Viton O-ring, 75Dur	1
56	431-304	BALL BEARING - 1/4in Chrome Steel Ball	1