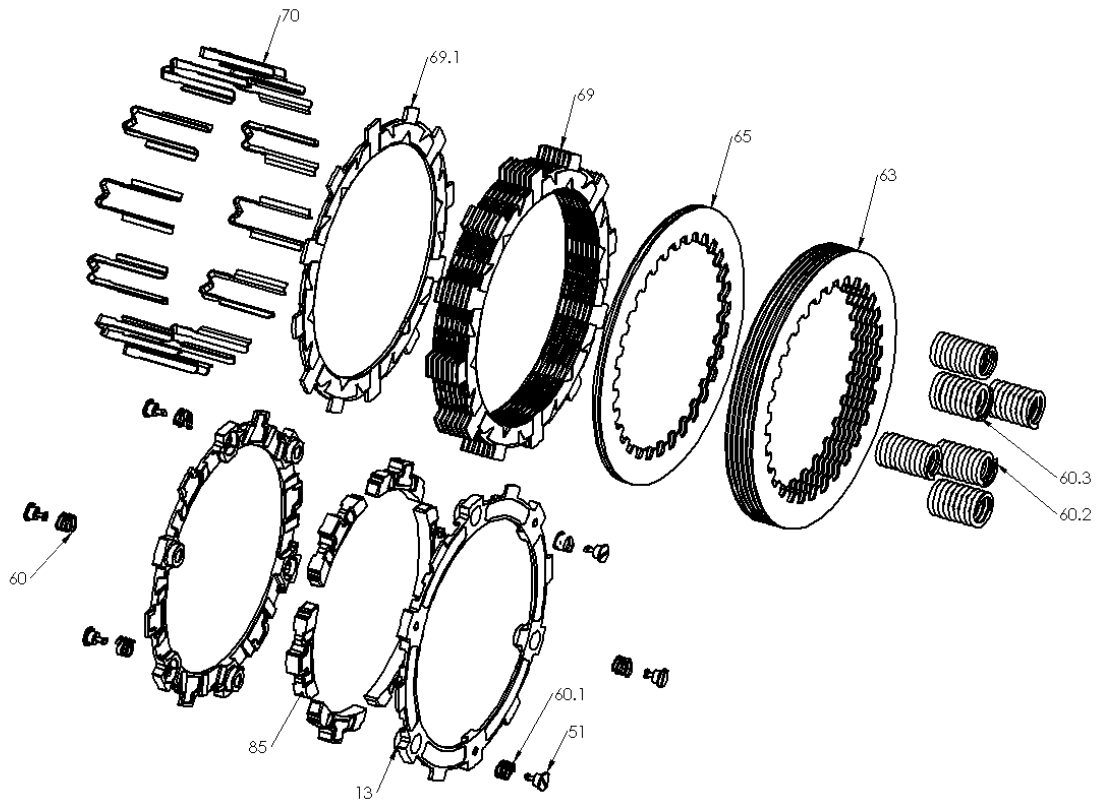


RMS-6307090B - RADIUSX CLUTCH



| Item | Part Number | Item Description | Qty |
|-----------|-------------|--|-----|
| 13 | 140-221C | EXP 3.0 BASE - Y450 TD | 2 |
| Not Shown | 415-000 | FASTENER - Quarter Turn Pin | 2 |
| 51 | 415-000 | FASTENER - Quarter Turn Pin | 6 |
| Not Shown | 419-120 | HARDWARE - 1 Orange Free Play Gain Rubber Band | 1 |
| Not Shown | 442-001 | EXP ADJUSTMENT SPRING EXP - Silver | 3 |
| Not Shown | 442-002 | EXP ADJUSTMENT SPRING EXP - Red | 6 |
| Not Shown | 442-003 | EXP ADJUSTMENT SPRING EXP - Blue | 3 |
| 60 | 442-110 | PRESSURE PLATE SPRING - EXP - Yamaha- YZ/WR450F - Purp | 6 |
| 63 | 460-625A | DRIVE PLATE - 0.040 - Yamaha YZ450F OEM | 6 |
| 65 | 462-625A | DRIVE PLATE - 0.048 Yamaha YZ450F OEM | 2 |
| 69.1 | 469-317B | FRICITION DISK - YZ250 - Thick .100in 2.54mm | 1 |
| 69 | 469-502A | FRICITION DISK - Y450 Thin Friction Disk | 7 |
| 70 | 471-317A | BASKET SLEEVE - H1.65 - W.14 | 12 |
| 85 | 741-012B | EXP 3.0 WEDGE ASSEMBLY - H450 - Medium | 6 |
| Not Shown | 821-013A | Prop. 65 Warning Label | 1 |