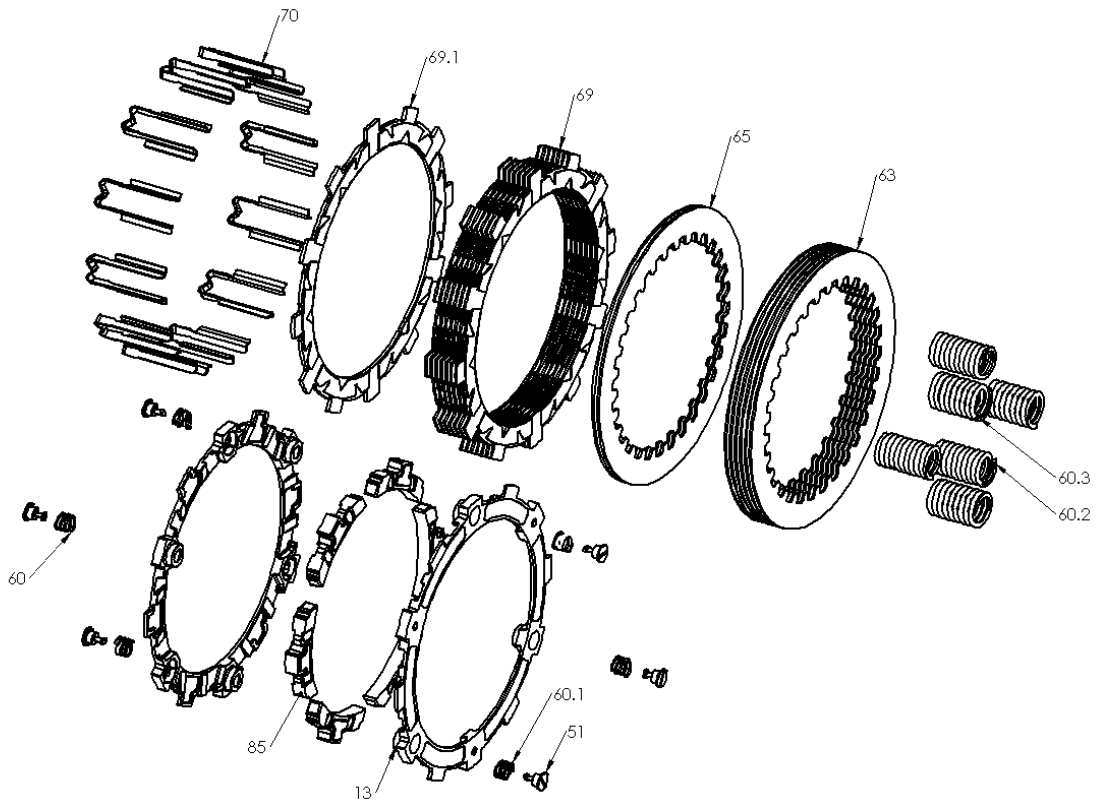
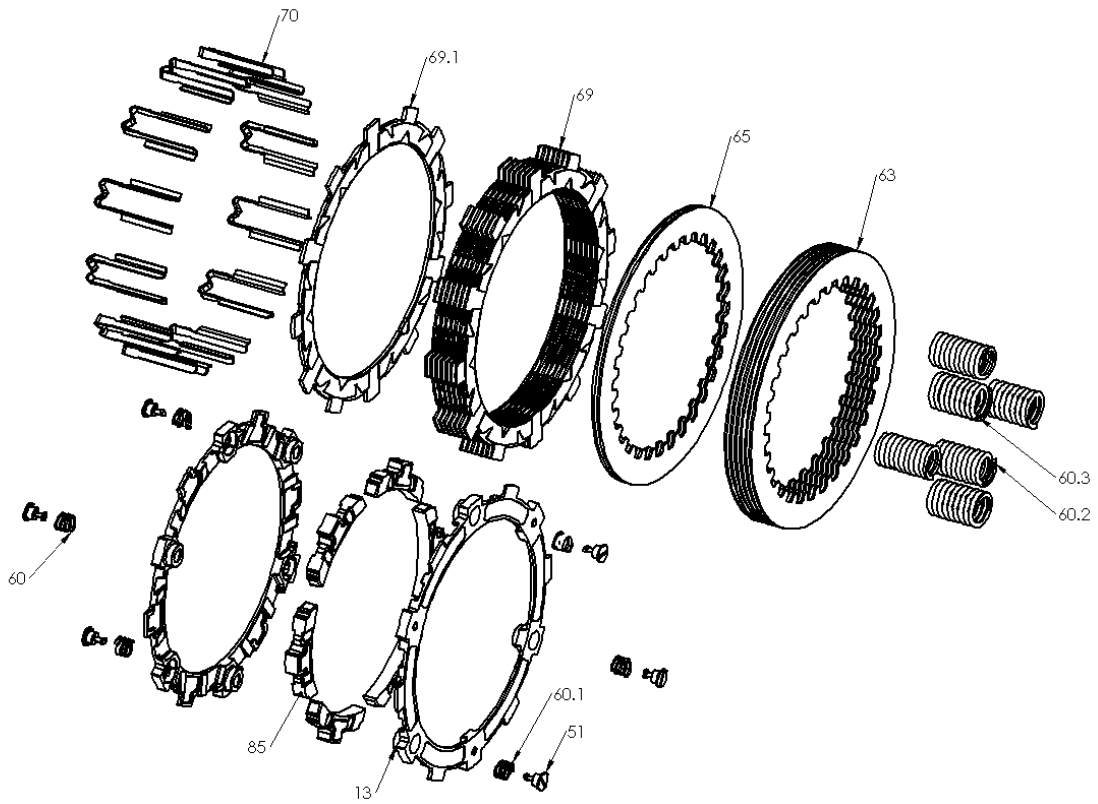


# RMS-6307090A - RADIUSX CLUTCH



Item	Part Number	Item Description	Qty
13	140-221C	EXP 3.0 BASE - Y450 TD	2
Not Shown	415-000	FASTENER - Quarter Turn Pin	2
51	415-000	FASTENER - Quarter Turn Pin	6
Not Shown	419-120	HARDWARE - 1 Orange Free Play Gain Rubber Band	1
Not Shown	442-002	EXP ADJUSTMENT SPRING EXP - Red	3
60	442-003	EXP ADJUSTMENT SPRING EXP - Blue	3
Not Shown	442-003	EXP ADJUSTMENT SPRING EXP - Blue	3
60.1	442-004	EXP ADJUSTMENT SPRING EXP - Gold	3
60.2	442-110	PRESSURE PLATE SPRING - EXP - Yamaha- YZ/WR450F - Purp	3
60.3	442-119A	PRESSURE PLATE SPRING - Yamaha YZ450F Class 45lbs at OE	3
63	460-625A	DRIVE PLATE - 0.040 - Yamaha YZ450F OEM	6
65	462-625A	DRIVE PLATE - 0.048 Yamaha YZ450F OEM	2
69	469-302A	FRICITION DISK - Y450 TORQ-DRIVE	7
69.1	469-317A	FRICITION DISK - YZ250 - Thick .100in 2.54mm	1
70	471-317A	BASKET SLEEVE - H1.65 - W.14	12

# RMS-6307090A - RADIUSX CLUTCH



Item	Part Number	Item Description	Qty
85	741-012B	EXP 3.0 WEDGE ASSEMBLY - H450 - Medium	6