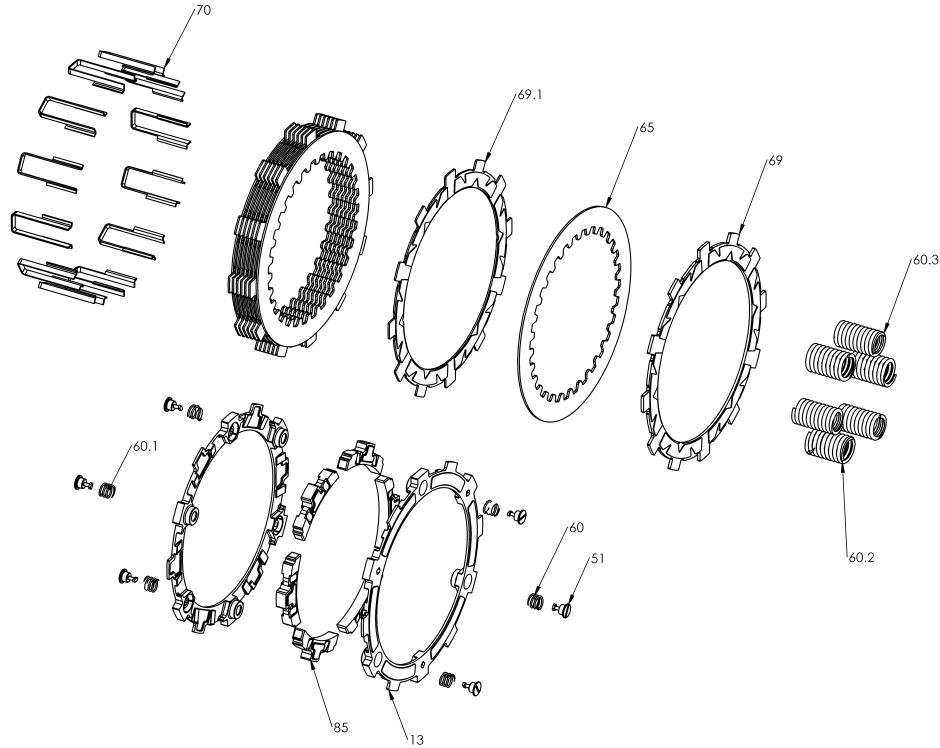
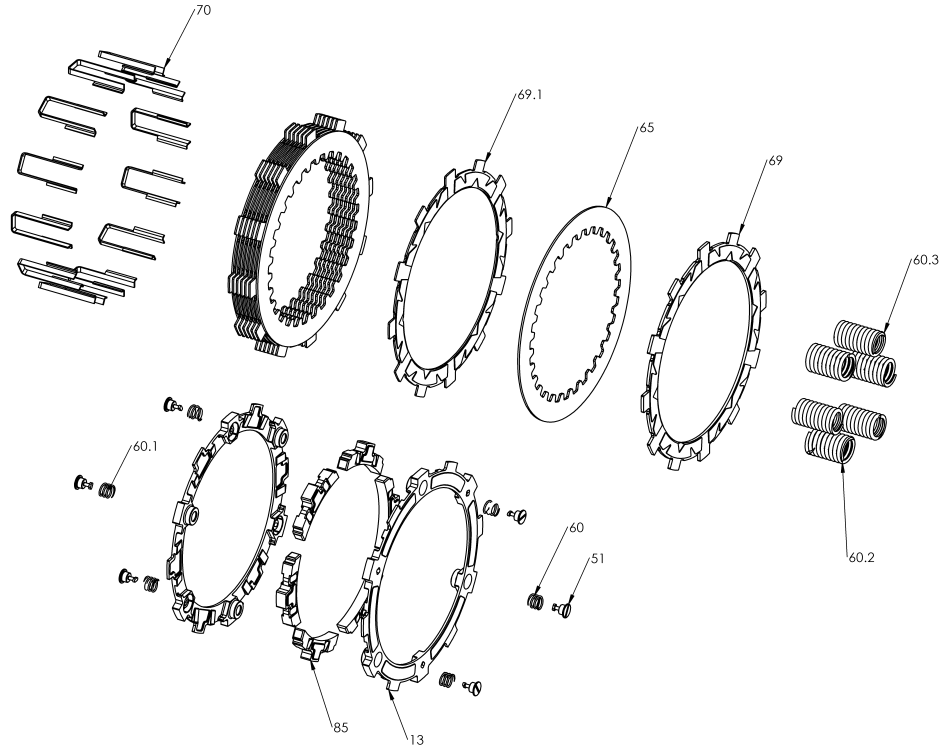


# RMS-6307079A - Radius X Clutch



Item	Part Number	Item Description	Qty
13	140-221B	EXP 3.0 BASE - Y450 TD	2
51	415-000	FASTENER - Quarter Turn Pin	6
Not Shown	415-000	FASTENER - Quarter Turn Pin	2
54	419-120	HARDWARE - 1 Orange Free Play Gain Rubber Band	1
55	420-996A	GASKET - YZ450 (10-16) .094 in Radius X	2
60	442-002	EXP ADJUSTMENT SPRING EXP - Medium (Red)	3
Not Shown	442-003	EXP ADJUSTMENT SPRING EXP - Heavy (Blue)	3
Not Shown	442-003	EXP ADJUSTMENT SPRING EXP - Heavy (Blue)	3
Not Shown	442-004	EXP ADJUSTMENT SPRING EXP - Super Heavy (Gold)	3
60.1	442-004	EXP ADJUSTMENT SPRING EXP - Super Heavy (Gold)	3
60.2	442-110	PRESSURE PLATE SPRING - EXP - Yamaha- YZ/WR450F - Purp	3
60.3	442-119A	PRESSURE PLATE SPRING - Yamaha YZ450F Class 45lbs at OE	3
65	462-625A	DRIVE PLATE - 0.048 Yamaha YZ450F OEM	8
69	469-217A	FRICTION - YZ250 Narrow Friction Disk	1
69.1	469-232A	FRICTION DISK - Y450 TORQ-DRIVE - 2-Segment Pads	7

# RMS-6307079A - Radius X Clutch



Item	Part Number	Item Description	Qty
70	471-300	BASKET SLEEVE - Dirt Bikes	12
85	741-012B	EXP 3.0 WEDGE ASSEMBLY - H450 - Medium	6