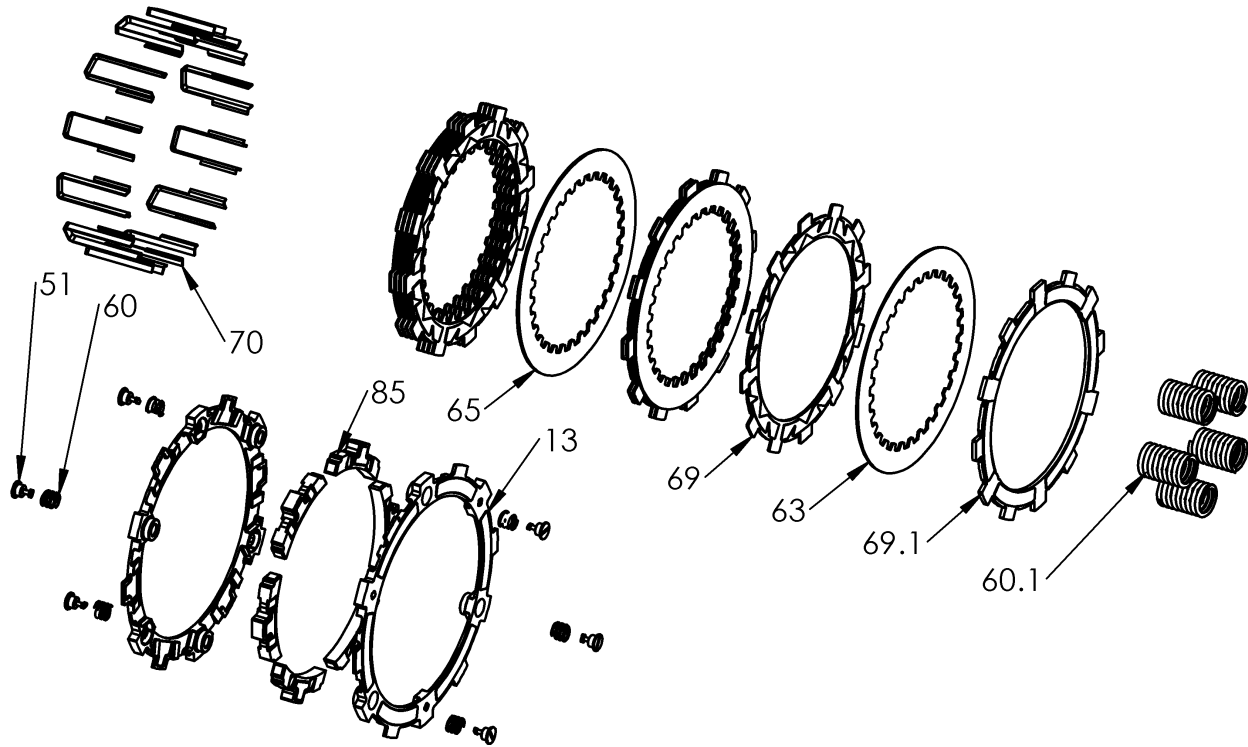
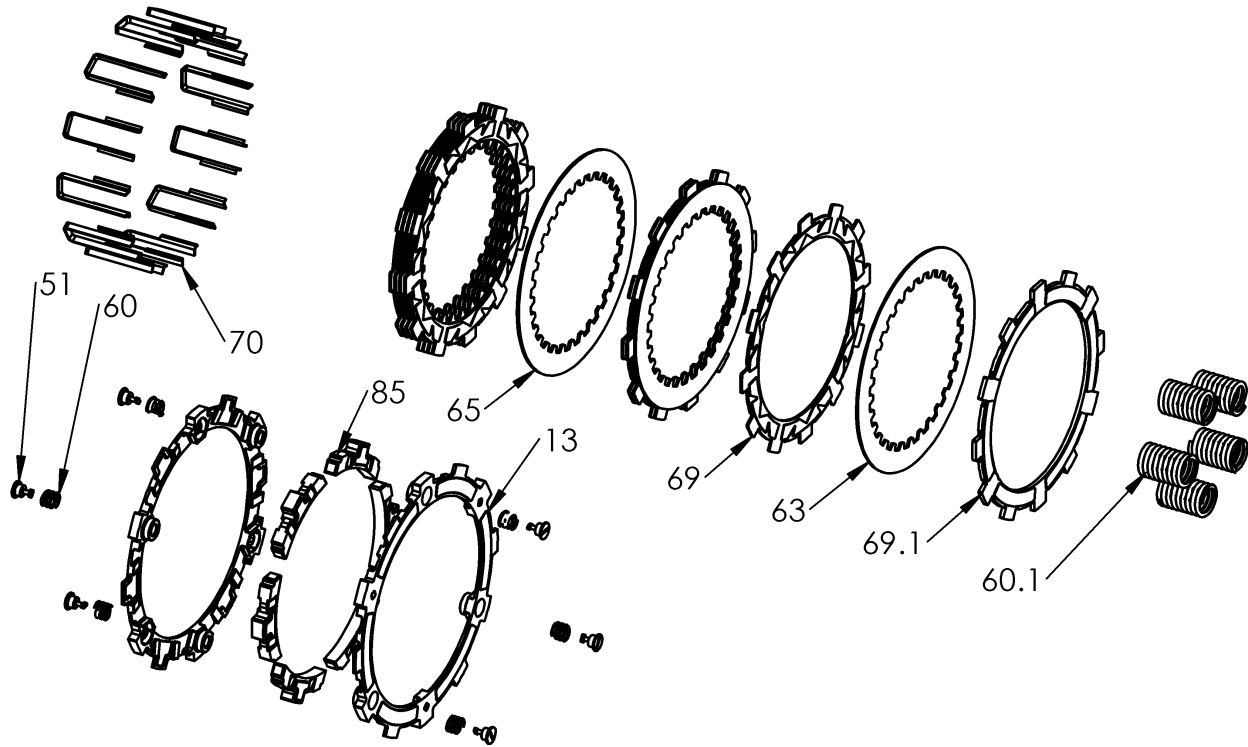


# RMS-6307078C - RADIUSX CLUTCH



Item	Part Number	Item Description	Qty
13	140-223B	EXP 3.0 BASE - H250 TD	2
Not Shown	411-183A	FASTENER - 18-8 Stainless Steel Hex-Head Screw - M5 Size, 3	1
51	415-000	FASTENER - Quarter Turn Pin	6
Not Shown	415-000	FASTENER - Quarter Turn Pin	2
Not Shown	419-120	HARDWARE - 1 Orange Free Play Gain Rubber Band	1
Not Shown	420-995A	GASKET - YZ250F (14-16) .094in EXP w/ Torqdrive	2
60	442-001	EXP ADJUSTMENT SPRING EXP - Light (Silver)	6
Not Shown	442-002	EXP ADJUSTMENT SPRING EXP - Medium (Red)	3
Not Shown	442-007A	EXP ADJUSTMENT SPRING EXP - 2LB (Steel)	3
60.1	442-118A	PRESSURE PLATE SPRING - Yamaha YZ250F Class 43lbs at OE	5
63	460-637A	DRIVE PLATE - 0.040 - Yamaha YZ250F OEM	3
65	462-637A	DRIVE PLATE - 0.048 - Yamaha YZ250 OEM	5
69.1	469-215A	FRICITION - YZ250F Narrow FRICITION DISK	1
69	469-304A	FRICITION DISK - H250 TORQ-DRIVE	7
70	471-300	BASKET SLEEVE - Dirt Bikes	12

# RMS-6307078C - RADIUSX CLUTCH



Item	Part Number	Item Description	Qty
85	741-014B	EXP 3.0 WEDGE ASSEMBLY - H250 - Medium	6