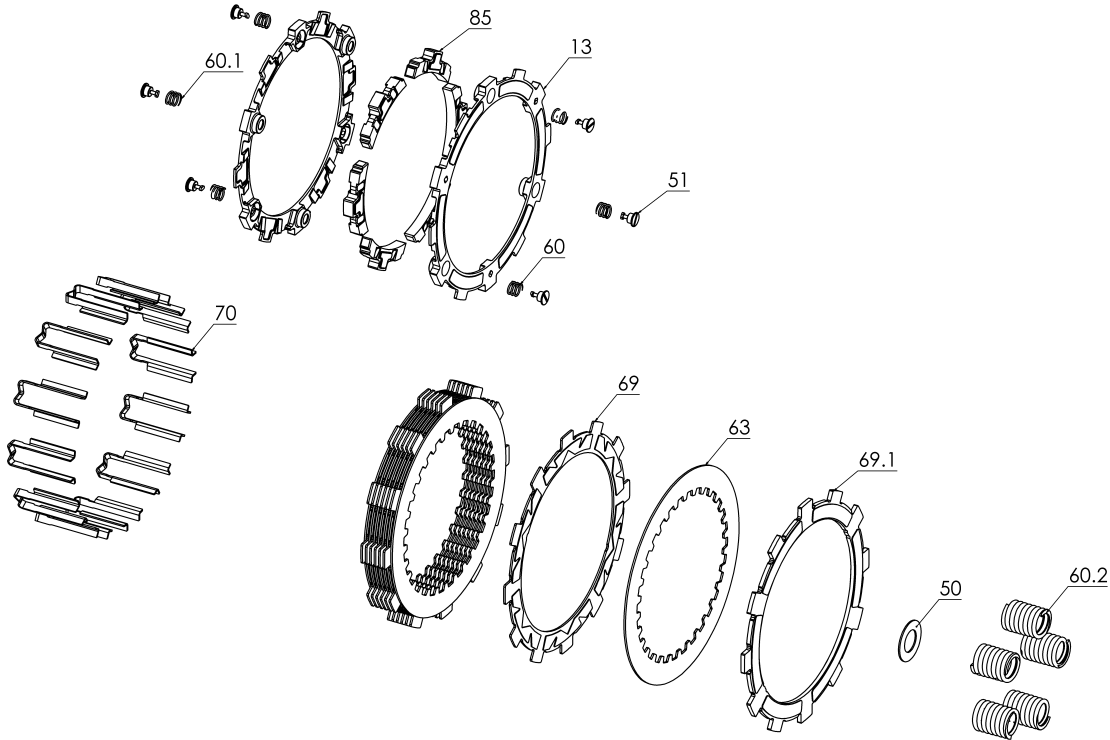
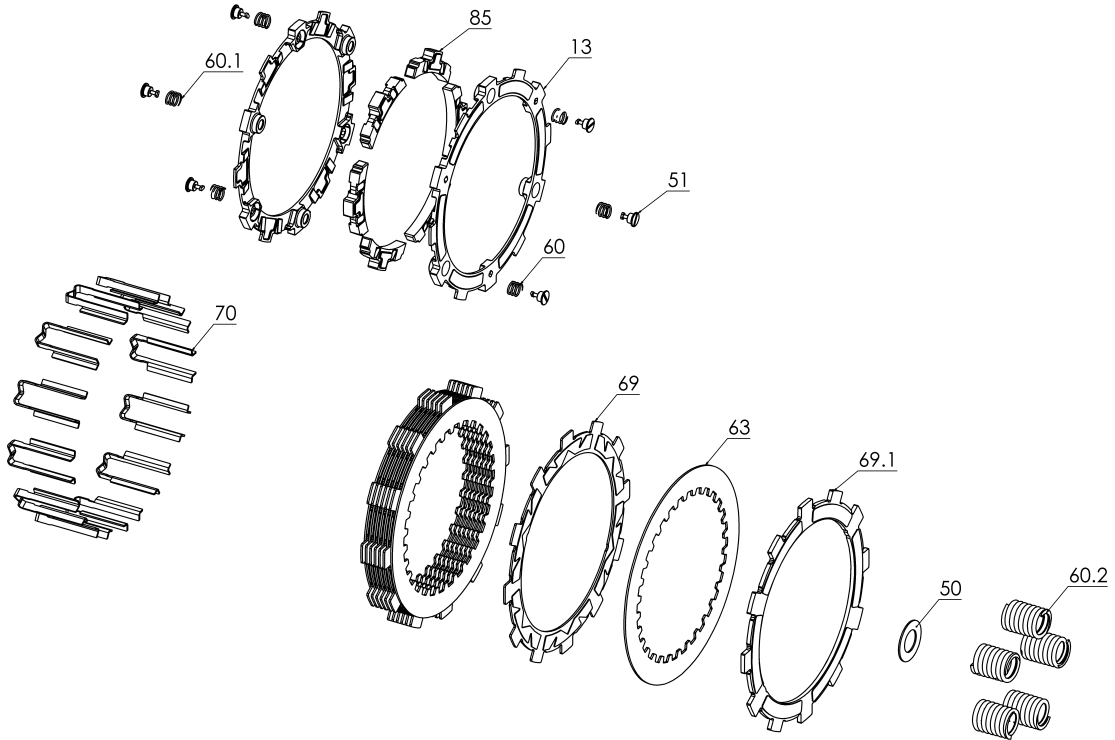


# RMS-6307075C - RADIUSX CLUTCH



Item	Part Number	Item Description	Qty
13	140-223B	EXP 3.0 BASE - H250 TD	2
50	414-130	HARDWARE - 1/2 Flat Throwout Washer	1
51	415-000	FASTENER - Quarter Turn Pin	6
Not Shown	415-000	FASTENER - Quarter Turn Pin	2
Not Shown	419-120	HARDWARE - 1 Orange Free Play Gain Rubber Band	1
Not Shown	420-275	GASKET - Y125 (.125)	1
Not Shown	442-002	EXP ADJUSTMENT SPRING EXP - Medium (Red)	3
60	442-002	EXP ADJUSTMENT SPRING EXP - Medium (Red)	3
60.1	442-003	EXP ADJUSTMENT SPRING EXP - Heavy (Blue)	3
Not Shown	442-003	EXP ADJUSTMENT SPRING EXP - Heavy (Blue)	3
60.2	442-120A	PRESSURE PLATE SPRING - Yamaha YZ125 Class 38lbs at OE	5
63	460-639A	Drive Plate - 0.040 - YZ 125	8
69	469-304A	FRICITION DISK - H250 TORQ-DRIVE	7
69.1	469-315A	FRICITION DISC - YZ250F - Thick .119in 3.02mm	1
70	471-309A	BASKET SLEEVE - RadiusX Y125/H450	12

# RMS-6307075C - RADIUSX CLUTCH



Item	Part Number	Item Description	Qty
85	741-014B	EXP 3.0 WEDGE ASSEMBLY - H250 - Medium	6