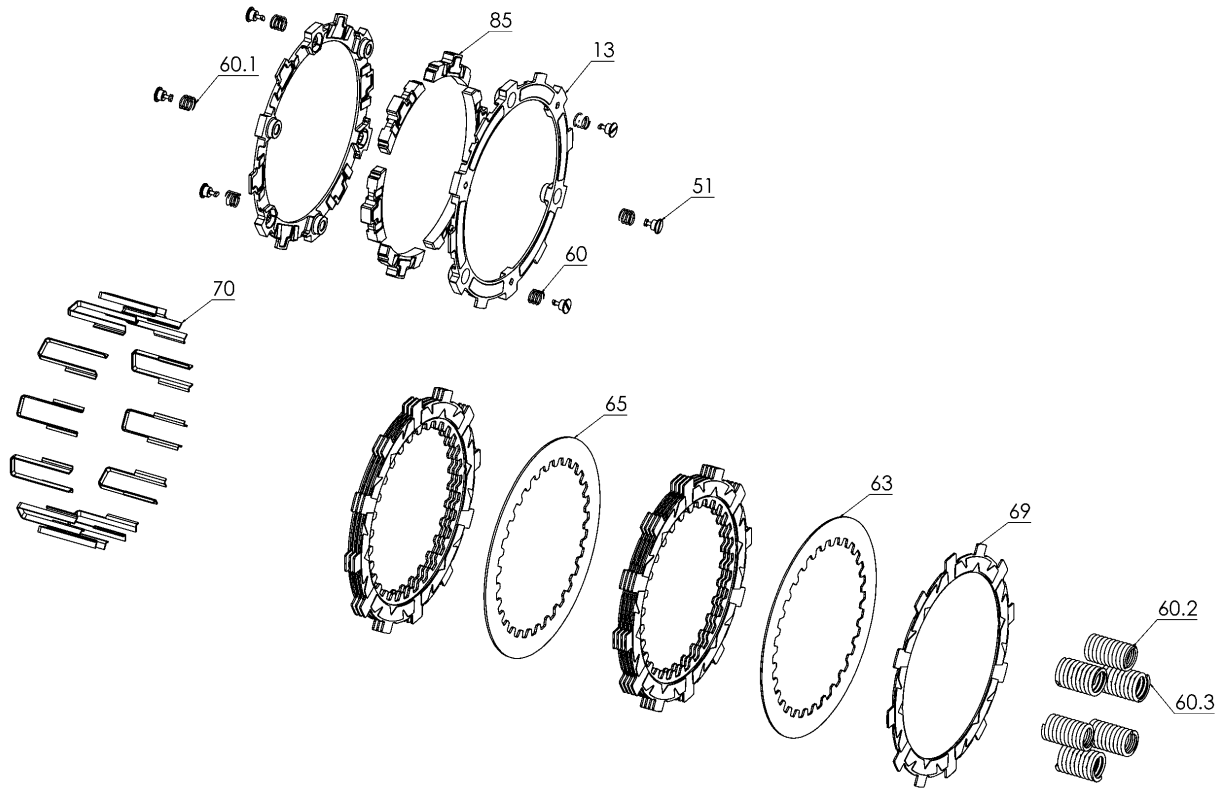
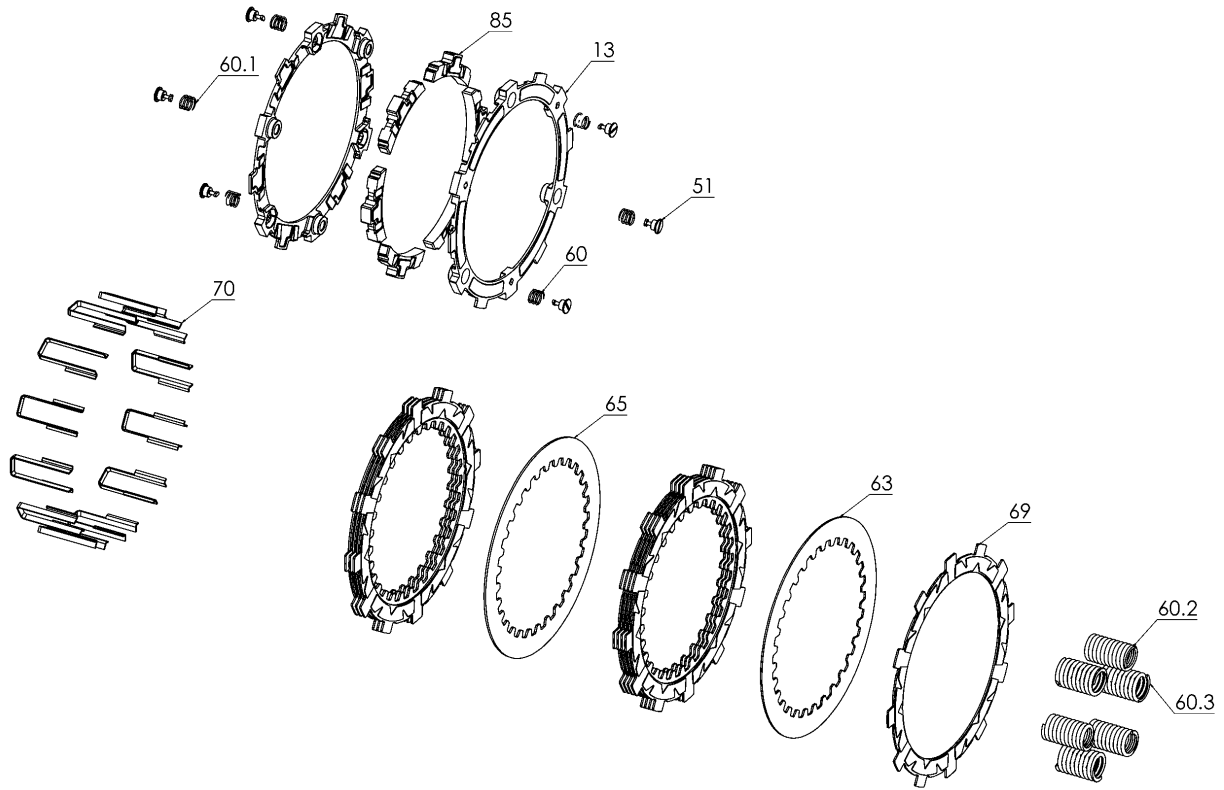


RMS-6307073B - Radius X Clutch



Item	Part Number	Item Description	Qty
13	140-221B	EXP 3.0 BASE - Y450 TD	2
51	415-000	FASTENER - Quarter Turn Pin	6
Not Shown	415-000	FASTENER - Quarter Turn Pin	2
Not Shown	419-120	HARDWARE - 1 Orange Free Play Gain Rubber Band	1
Not Shown	420-994A	GASKET -YZ450 (03-09) .094 in EXP w/ Torqdrive	2
Not Shown	442-003	EXP ADJUSTMENT SPRING EXP - Heavy (Blue)	3
60	442-003	EXP ADJUSTMENT SPRING EXP - Heavy (Blue)	3
60.1	442-004	EXP ADJUSTMENT SPRING EXP - Super Heavy (Gold)	3
Not Shown	442-004	EXP ADJUSTMENT SPRING EXP - Super Heavy (Gold)	3
60.2	442-110	PRESSURE PLATE SPRING - EXP - Yamaha- YZ/WR450F - Purp	3
60.3	442-119A	PRESSURE PLATE SPRING - Yamaha YZ450F Class 45lbs at OE	3
63	460-625A	DRIVE PLATE - 0.040 - Yamaha YZ450F OEM	4
65	462-625A	DRIVE PLATE - 0.048 Yamaha YZ450F OEM	4
69	469-232A	FRICTION DISK - Y450 TORQ-DRIVE - 2-Segment Pads	8
70	471-300	BASKET SLEEVE - Dirt Bikes	12

RMS-6307073B - Radius X Clutch



Item	Part Number	Item Description	Qty
85	741-012B	EXP 3.0 WEDGE ASSEMBLY - H450 - Medium	6