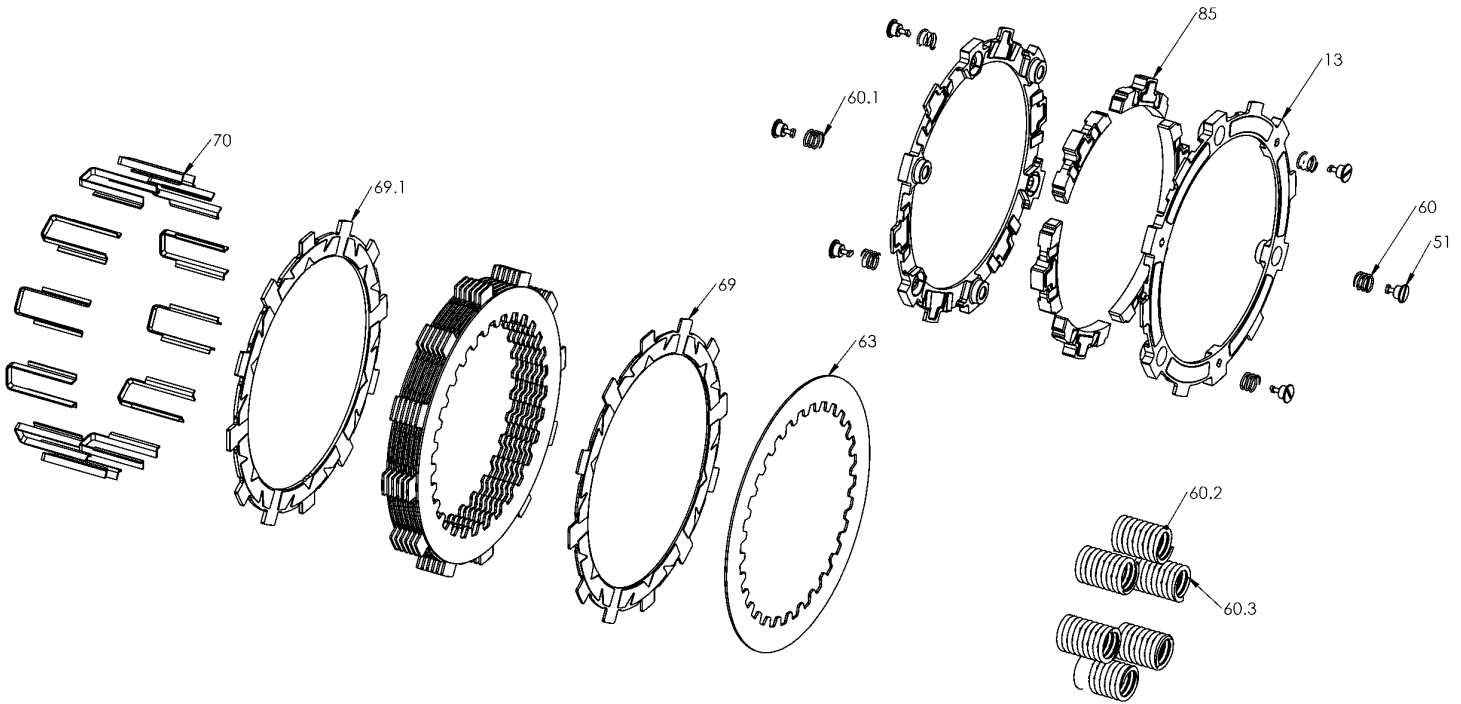
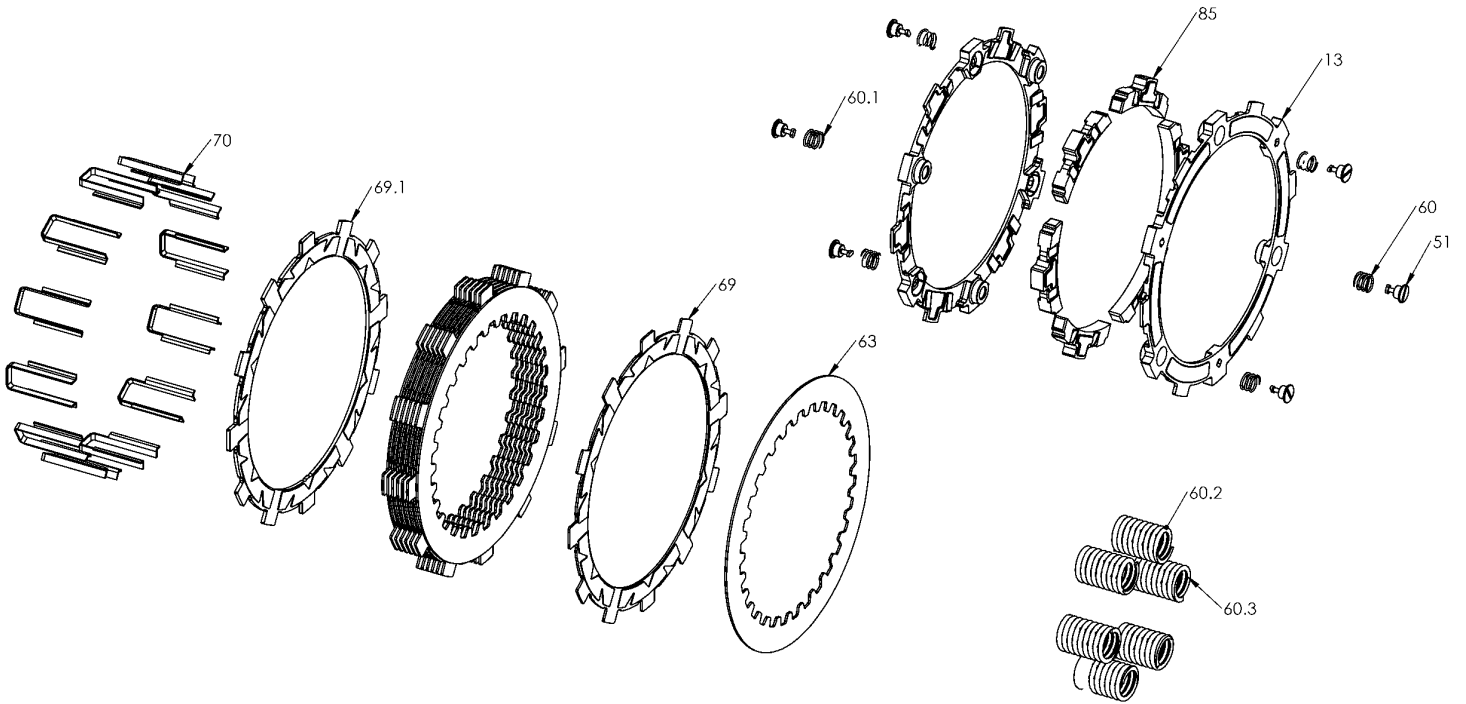


# RMS-6307070D - RADIUSX CLUTCH



Item	Part Number	Item Description	Qty
13	140-221B	EXP 3.0 BASE - Y450 TD	2
51	415-000	FASTENER - Quarter Turn Pin	6
Not Shown	415-000	FASTENER - Quarter Turn Pin	2
Not Shown	419-120	HARDWARE - 1 Orange Free Play Gain Rubber Band	1
Not Shown	420-270C	GASKET - Y250	1
60	442-002	EXP ADJUSTMENT SPRING EXP - Medium (Red)	3
Not Shown	442-002	EXP ADJUSTMENT SPRING EXP - Medium (Red)	3
Not Shown	442-003	EXP ADJUSTMENT SPRING EXP - Heavy (Blue)	3
60.1	442-003	EXP ADJUSTMENT SPRING EXP - Heavy (Blue)	3
60.2	442-110	PRESSURE PLATE SPRING - EXP - Yamaha- YZ/WR450F - Purp	3
60.3	442-119A	PRESSURE PLATE SPRING - Yamaha YZ450F Class 45lbs at OE	3
63	460-625A	DRIVE PLATE - 0.040 - Yamaha YZ450F OEM	8
69	469-217A	FRICTION DISC - YZ250 - Thick .100in 2.54mm	1
69.1	469-332A	FRICTION DISC - Y450 TORQ-DRIVE - 2-Segment Pads	7
70	471-304A	BASKET SLEEVE - KTM 690 - 1.450in Tall	12

# RMS-6307070D - RADIUSX CLUTCH



Item	Part Number	Item Description	Qty
85	741-012B	EXP 3.0 WEDGE ASSEMBLY - H450 - Medium	6