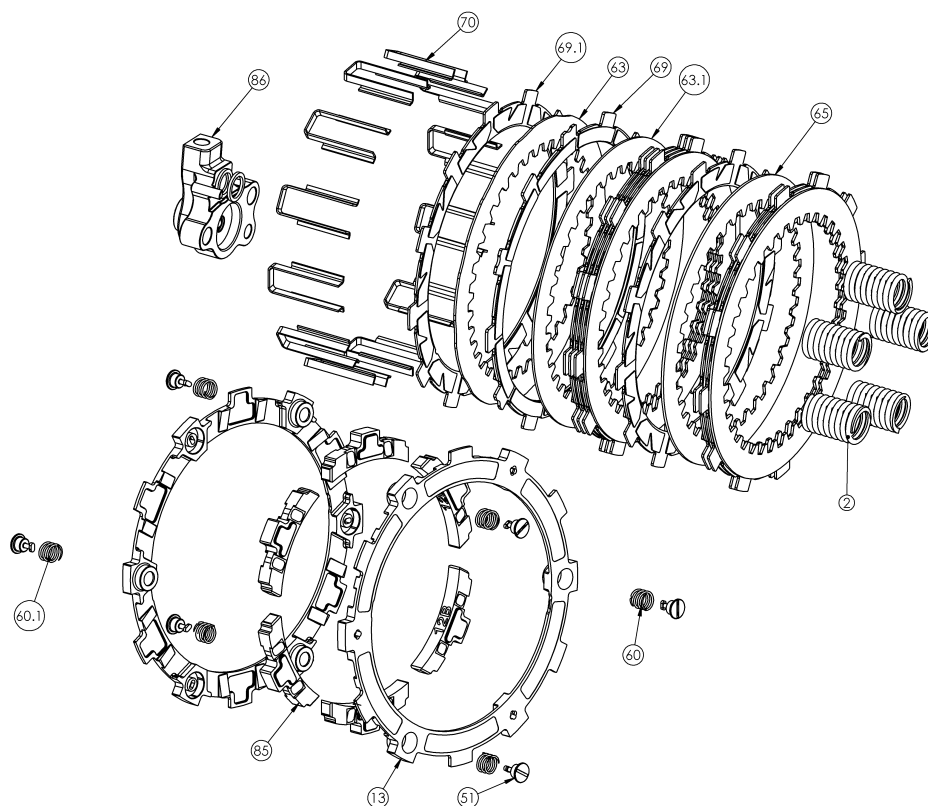


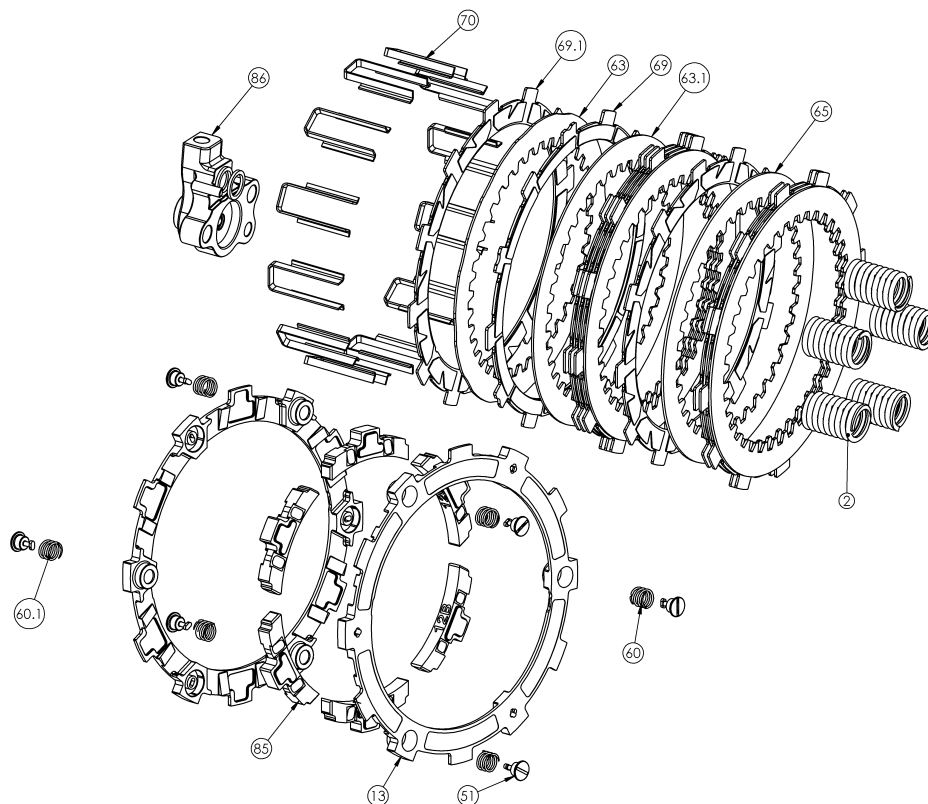
# RMS-6304046B - RADIUSX CLUTCH



*\*SLAVE CYLINDER ASSEMBLY FICHE CAN BE VIEWED SEPARATELY.  
REBUILD KIT ALSO AVAILABLE SEPERATELY FROM REKLUSE.*

Item	Part Number	Item Description	Qty
13	140-220C	EXP 3.0 BASE - H450 TD	2
51	415-000	FASTENER - Quarter Turn Pin	6
Not Shown	415-000	FASTENER - Quarter Turn Pin	2
Not Shown	419-120	HARDWARE - 1 Orange Free Play Gain Rubber Band	1
60	442-002	EXP ADJUSTMENT SPRING EXP - Red	3
Not Shown	442-002	EXP ADJUSTMENT SPRING EXP - Red	3
Not Shown	442-003	EXP ADJUSTMENT SPRING EXP - Blue	3
60.1	442-003	EXP ADJUSTMENT SPRING EXP - Blue	3
60.2	442-102	PRESSURE PLATE SPRING - 450 Class Bikes Heavy Blue	5
63	460-135A	DRIVE PLATE - 1050 0.040 KX450 OEM	1
63.1	460-635A	DRIVE PLATE - 0.040 KX450 OEM	4
65	462-635A	DRIVE PLATE - 0.048 KX450 OEM	3
69	469-320A	FRICITION DISK - Thin Judder Friction .078 - H450	1
69.1	469-531A	FRICITION DISK - H450 TORQ-DRIVE - 2-Segment Pads	7
70	471-304B	BASKET SLEEVE - H1.45 - 4S	12

# RMS-6304046B - RADIUSX CLUTCH



*\*SLAVE CYLINDER ASSEMBLY FICHE CAN BE VIEWED SEPARATELY.  
REBUILD KIT ALSO AVAILABLE SEPERATELY FROM REKLUSE.*

Item	Part Number	Item Description	Qty
85	741-012B	EXP 3.0 WEDGE ASSEMBLY - H450 - Medium	6
86	742-046A	ADJUSTABLE SLAVE ASSEMBLY - 19+ KX450 - Housing 180-1	1
28.1	180-107	SLAVE CYLINDER ADJUSTER - Screw, M6x7mm	1
28.2	180-146A	SLAVE CYLINDER HOUSING - 19+ Kawaski KX450 ASC	1
28.3	180-346A	SLAVE CYLINDER PISTON - DIV 0.070 WS 19+ KX450	1
50	414-230	HARDWARE - Crush Washers: 10mm	2
53.1	418-907	HARDWARE - 011 EPDM O-ring	2
53.2	418-925A	HARDWARE - EPDM O-Ring, size-018, Black, for 22mm Bore	2
Not Show	419-104	HARDWARE - 15 in L X 1/4OD. X .17ID. Clear Vinyl Tube	1
56	431-307	BALL BEARING - 3/16in Chrome Steel Ball - Grade 25 +/-0.00	1
59	441-046A	WAVE SPRING - Slave Cylinder Return - 2019 KX450	1
Not Shown	821-013A	Prop. 65 Warning Label	1