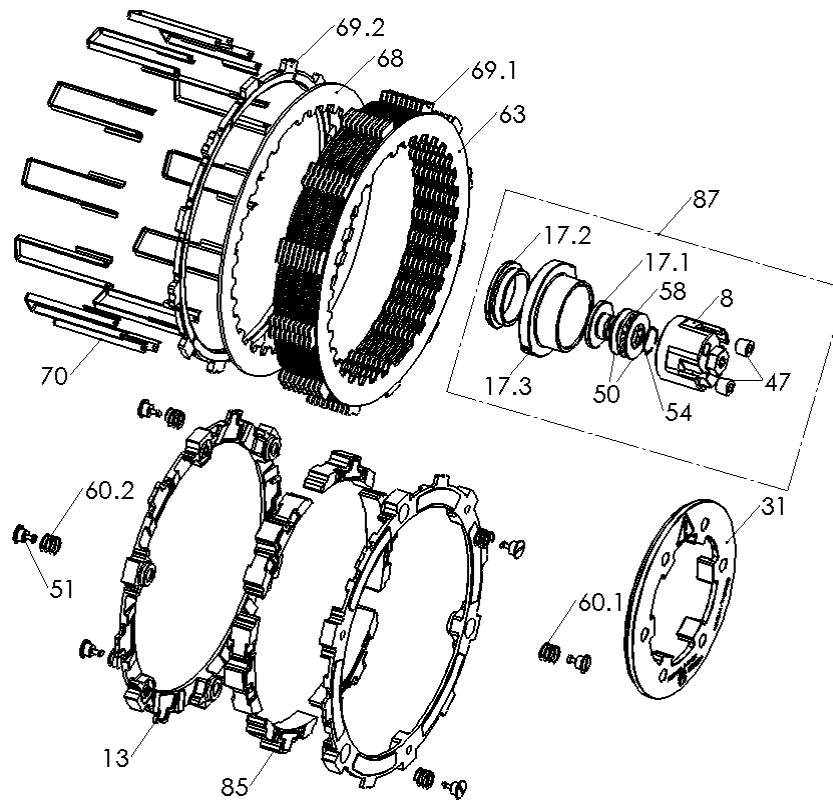
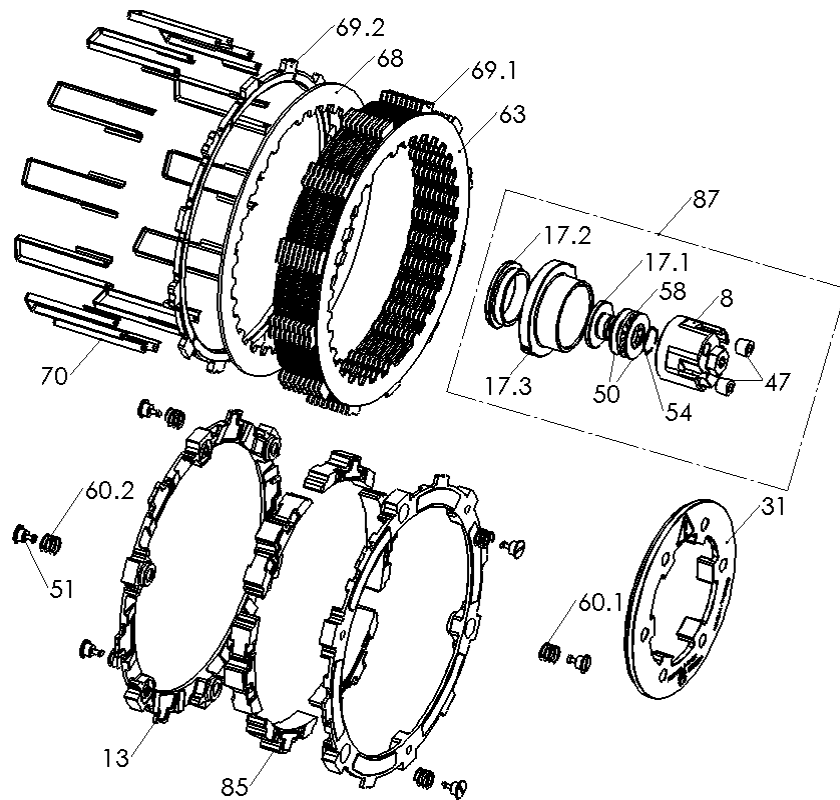


RMS-6204E - HARLEY-DAVIDSON® EXP CLUTCH KIT



Item	Part Number	Item Description	Qty
13	140-216C	EXP 3.0 BASE - HD Big Twin	2
31	184-012A	SPRING HOLD-DOWN PLATE - High-Torque Spring Ring for H	1
Not Shown	415-000	FASTENER - Quarter Turn Pin	2
51	415-000	FASTENER - Quarter Turn Pin	6
Not Shown	419-120	HARDWARE - 1 Orange Free Play Gain Rubber Band	1
Not Shown	419-711A	HARDWARE - Velcro Strap 1in X 12in	2
Not Shown	442-004	EXP ADJUSTMENT SPRING EXP - Super Heavy (Gold)	3
60.1	442-004	EXP ADJUSTMENT SPRING EXP - Super Heavy (Gold)	3
Not Shown	442-005B	EXP ADJUSTMENT SPRING EXP - 14LB (Green) Hot Formed	3
60.2	442-005B	EXP ADJUSTMENT SPRING EXP - 14LB (Green) Hot Formed	3
63	460-600B	DRIVE PLATE - 0.040 Harley Big Twin	9
68	466-600B	DRIVE PLATE - 0.065 Harley Big Twin	1
69.1	469-200	FRICITION DISK - BT Thin Friction Disk	9
69.2	469-209B	FRICITION DISK - BT Narrow Friction Disk	1
70	471-301	BASKET SLEEVE - 98+ Harley Big Twin Basket Sleeve	12

RMS-6204E - HARLEY-DAVIDSON® EXP CLUTCH KIT



Item	Part Number	Item Description	Qty
85	741-018C	EXP 3.0 WEDGE ASSEMBLY - H-D Heavy	6
87	743-012A	THROW-OUT ASSEMBLY - H-D Big Twin Hydraulic Adjuster (1	1
8	116-202A	PRESSURE PLATE ADJUSTER - H-D Hydraulic 1998-2006	1
17.1	151-612C	THROWOUT ADJ. COMPONENT - Throwout Adjuster Bearing	1
17.2	151-613A	THROWOUT ADJ. COMPONENT - Throwout Adjuster Base C	1
17.3	151-614A	THROWOUT ADJ. COMPONENT - Throwout Adjuster Thread	1
47	411-161A	HARDWARE - 1/16 in NPTF Steel Socket Head Pipe Plug 7/8 i	2
50	414-130	HARDWARE - 1/2 Flat Throwout Washer	2
54	419-010A	RETAINING RING - VS-50	1
58	433-302	THRUST BEARING - 1/2 Throwout Needle Thrust Bearing TC	1