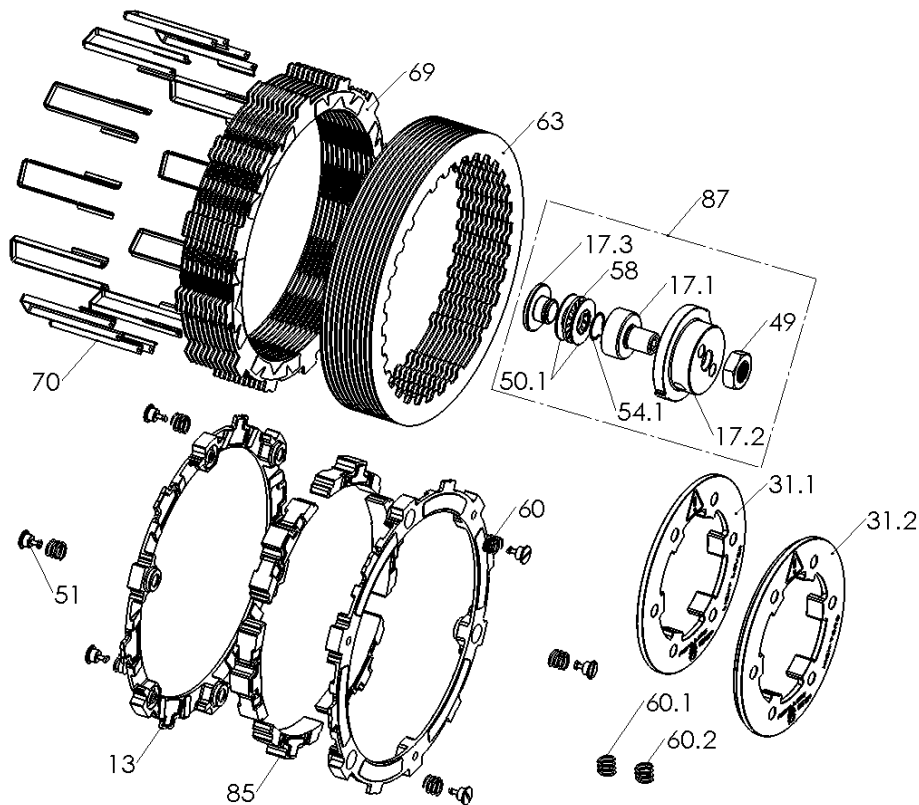


HARLEY-DAVIDSON EXP CLUTCH KIT



Item	Part Number	Item Description	Qty	Assembled as EXP Friction Disk
Document	191-6202A	CUSTOMER DOCUMENT - Installation Guide - H-D Big Twin EXP: Hydraulic	1	<input type="checkbox"/>
Document	192-297A	CUSTOMER DOCUMENT - Safety Informaiton (Street Auto)	1	<input type="checkbox"/>
Document	193-6201A	CUSTOMER DOCUMENT - User's Guide: EXP - Harley-Davidson Big Twin	1	<input type="checkbox"/>
Document	193-710A	CUSTOMER DOCUMENT - Read Me First: Street Auto	1	<input type="checkbox"/>
Not Shown	419-120	HARDWARE - 1 Orange Free Play Gain Rubber Band	1	<input type="checkbox"/>
Not Shown	419-711A	HARDWARE - Velcro Strap	2	<input type="checkbox"/>
Not Shown	491-010A	FEELER GAUGE - 0.030in Flat Feeler Gauge	2	<input type="checkbox"/>
Not Shown	821-010B	WARNING LABEL - Clutch Lever Decal	1	<input type="checkbox"/>
13	140-216C	H-D Big Twin EXP Base	2	<input type="checkbox"/>
30.1	184-011A	SPRING HOLD-DOWN PLATE - Light-Lever Spring Ring for H-D EXP Clutches	1	<input type="checkbox"/>
30.2	184-012A	SPRING HOLD-DOWN PLATE - High-Torque Spring Ring for H-D EXP Clutches	1	<input type="checkbox"/>
51	415-000	FASTENER - Quarter Turn Pin	2	<input type="checkbox"/>

51	415-000	FASTENER - Quarter Turn Pin	6	<input checked="" type="checkbox"/>
60	442-004	EXP ADJUSTMENT SPRING EXP - Super Heavy (Gold)	3	<input type="checkbox"/>
60	442-004	EXP ADJUSTMENT SPRING EXP - Super Heavy (Gold)	3	<input checked="" type="checkbox"/>
60	442-005A	EXP ADJUSTMENT SPRING EXP - 14LB (Green)	3	<input type="checkbox"/>
60	442-005A	EXP ADJUSTMENT SPRING EXP - 14LB (Green)	3	<input checked="" type="checkbox"/>
63	460-600B	DRIVE PLATE - 0.040 Harley Big Twin	11	<input type="checkbox"/>
69	469-200	FRICTION DISC - HARLEY BIG TWIN TORQ-DRIVE	11	<input type="checkbox"/>
70	471-301	BASKET SLEEVE - 98+ Harley Big Twin Basket Sleeve	12	<input type="checkbox"/>
85	741-018B	EXP 3.0 WEDGE ASSEMBLY - H-D Heavy	6	<input type="checkbox"/>
87	743-010A	THROW-OUT ASSEMBLY - H-D Big Twin Hydraulic Adjuster	1	<input type="checkbox"/>
17.1	151-610A	THROWOUT ADJ. COMPONENT - Throwout Threaded Adjuster Core - Harley	1	
17.2	151-611A	THROWOUT ADJ. COMPONENT - Throwout Adjuster Housing - Harley	1	
17.3	151-612A	THROWOUT ADJ. COMPONENT - Throwout Adjuster Bearing Support - Harley	1	
49	413-003A	FASTENER - 7/16 x 20 Jam Nut	1	
50.1	414-130	HARDWARE - 1/2 Flat Throwout Washer	2	
54.1	419-010A	RETAINING RING - VS-50	1	
58	433-302	THRUST BEARING - 1/2 Throwout Needle Thrust Bearing TC815	1	