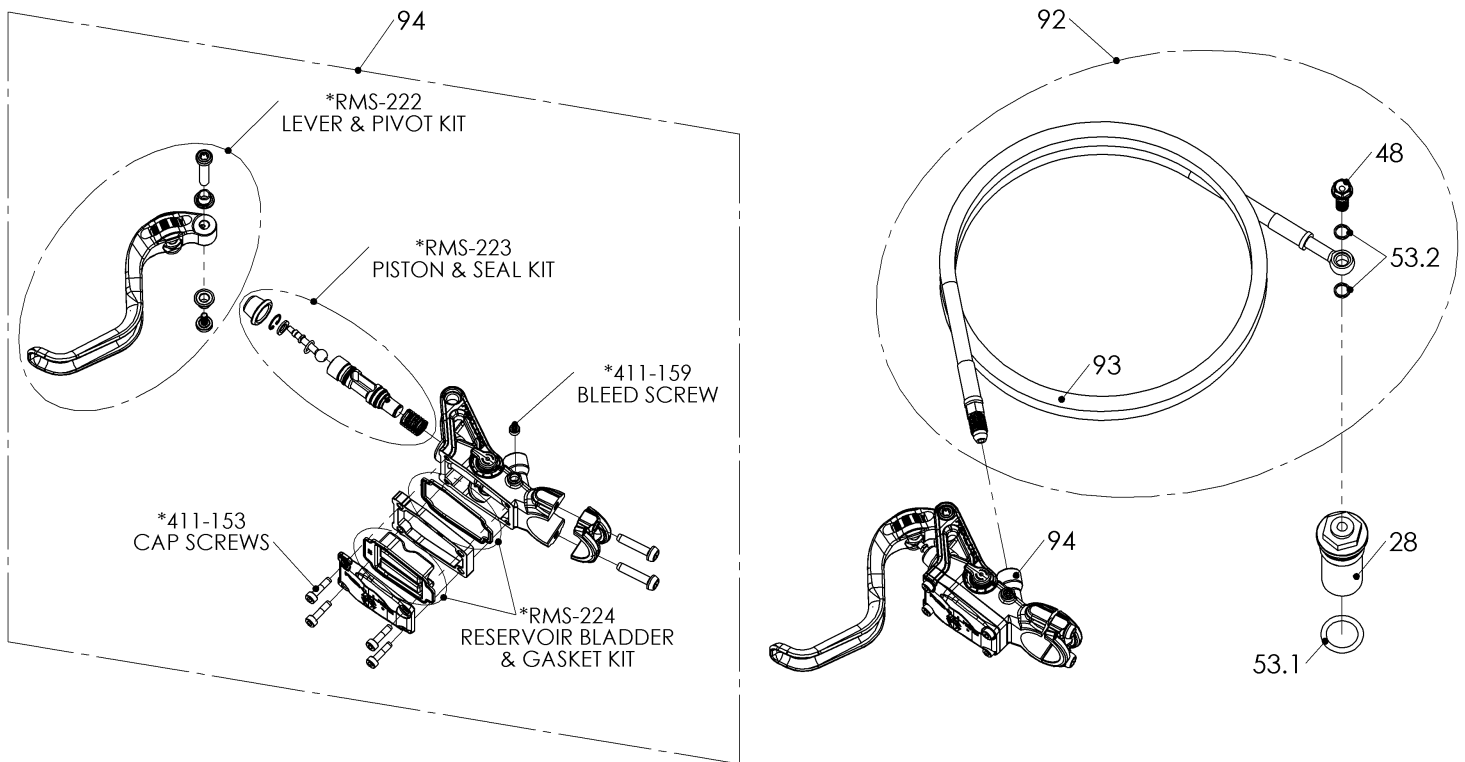


# RMS-5312A - BRAKE KIT DUAL ACTUATED



\*INDICATES REPLACEMENT KITS/PARTS AVAILABLE SEPARATELY

| Item      | Part Number | Item Description   | Qty |
|-----------|-------------|--|-----|
| 28        | 180-011A    | MASTER CYLINDER SLEEVE - KT                              | 1   |
| 53.1      | 418-904     | HARDWARE - Size 114 o-ring for Brembo DA Brake           | 2   |
| 94        | 475-003A    | MASTER CYLINDER - Brake Kit Master Cylinder Assembly     | 1   |
| 92        | 745-004A    | BRAKE LINE KIT - LHRB 140cm Stainless Brake Line Kit     | 1   |
| 48        | 412-103A    | FASTENER - Banjo Bolt: M6 x 1.0 x 16mm Hex Flange        | 1   |
| 53.2      | 418-803     | HARDWARE - EPDM Square Ring 6mm Banjo Seal               | 4   |
| Not Show  | 419-702     | HARDWARE - UV Protected Zip Tie 7 - Black                | 4   |
| 93        | 476-002A    | BRAKE LINE - 140cm Carbon Look Brake Line with 6mm Strai | 1   |
| Not Shown | 745-005A    | HARDWARE - LHRB Bleed Kit - 2-syringe                    | 1   |
| Not Show  | 411-902     | HARDWARE - T-10 Torx Bit                                 | 1   |
| Not Show  | 419-033A    | HARDWARE - Snap-Grip Clamp for 1/4in Hose - Nylon        | 1   |
| Not Show  | 419-034A    | HARDWARE - Snap-Grip Clamp for 5/16in Hose - Nylon       | 1   |
| Not Show  | 419-119     | HARDWARE - Threaded Brake Bleed Fitting                  | 1   |
| Not Show  | 790-001     | HARDWARE - Brake Kit 60cc syringe and tube assembly      | 2   |