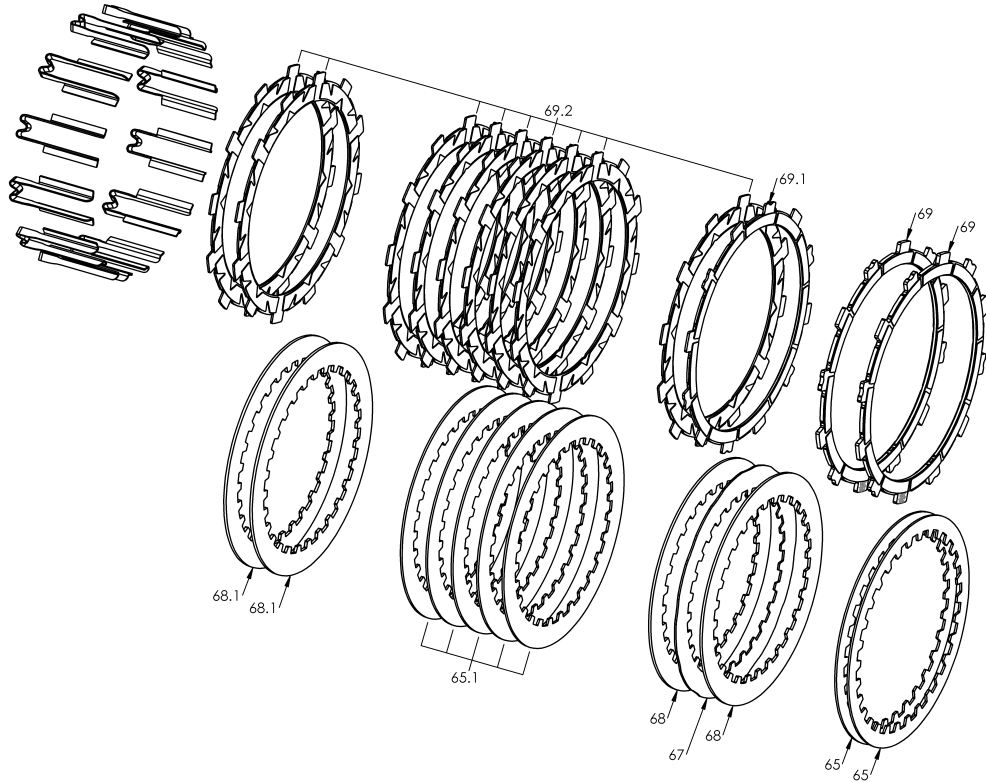


# RMS-2801112A - TORQ-DRIVE CLUTCH (ADVENTURE)



Item	Part Number	Item Description	Qty
60	442-121A	PRESSURE PLATE SPRING - Africa Twin A&S - .790OD, .115W	3
67	460-102A	DRIVE PLATE - 1050 0.040 - OEM H450	1
65	462-629A	DRIVE PLATE - .048 - CRF1000A 16+ (Africa Twin)	2
65.1	462-636A	DRIVE PLATE - 0.048 Honda CRF450 OEM	5
68	466-636A	DRIVE PLATE - .060 Honda CRF450 OEM	2
68.1	466-736A	DRIVE PLATE - .065 Honda CRF450 OEM	2
69	469-318A	FRICITION - Judder Friction H450	2
69.1	469-320A	FRICITION DISK - Thin Judder Friction .078 - H450	1
69.2	469-331A	FRICITION DISK - H450 TORQ-DRIVE - 2-Segment Pads	9
70	471-308C	BASKET SLEEVE - MV,AT	12
Not Shown	821-010B	WARNING LABEL - Clutch Lever Decal	1