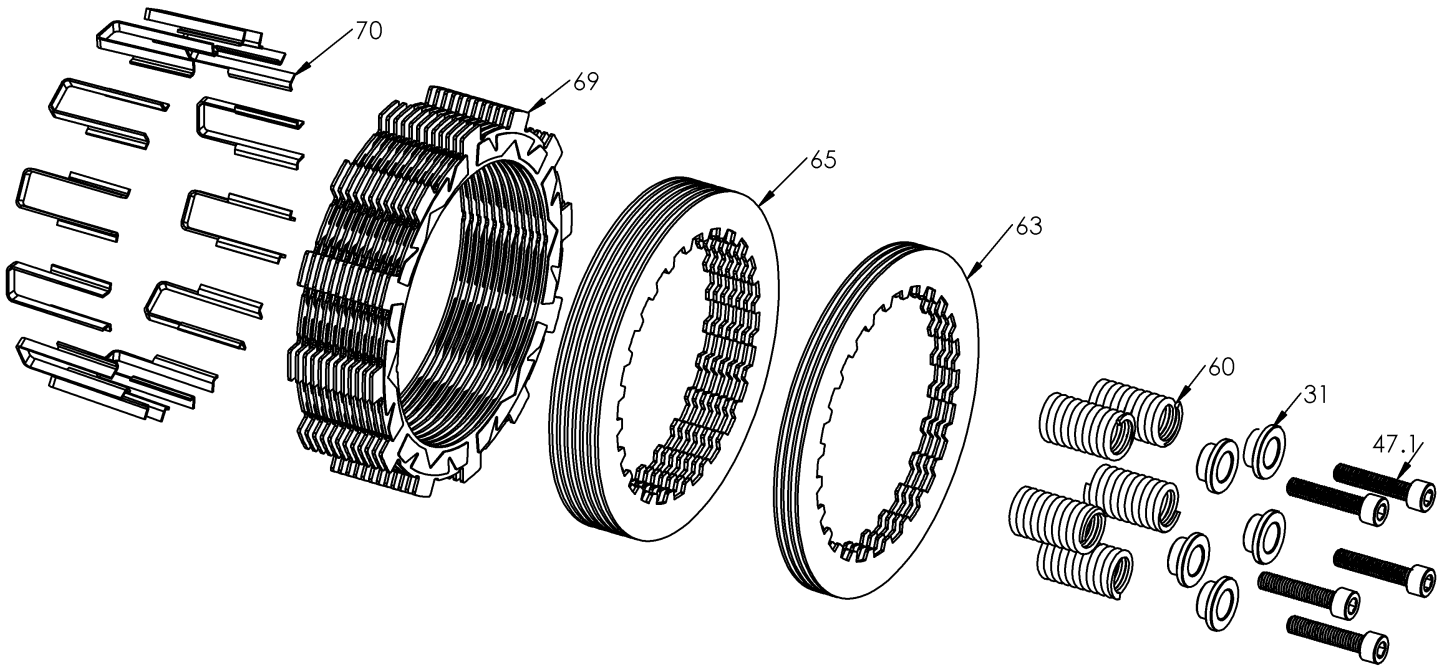


RMS-2801022A - TORQDRIVE CLUTCH PACK



Item	Part Number	Item Description	Qty
31	184-102A	HARDWARE - YXZ1000 Screw Sleeve	5
47	411-164A	FASTENER - M6-1 x 30 Socket Head Cap Screw	5
60	442-105A	PRESSURE PLATE SPRING - 250 Class Bikes Medium - 42LB	5
63	460-633A	DRIVE PLATE - 0.040 - H250, K125	4
65	462-633A	DRIVE PLATE - 0.048 - H250, K125	7
69	469-334A	FRICITION DISK - H250 TORQ-DRIVE - 2-Segment Pads	12
70	471-307A	BASKET SLEEVE - H1.53	12